

(19) World Intellectual Property Organization  
International Bureau



(43) International Publication Date  
28 June 2001 (28.06.2001)

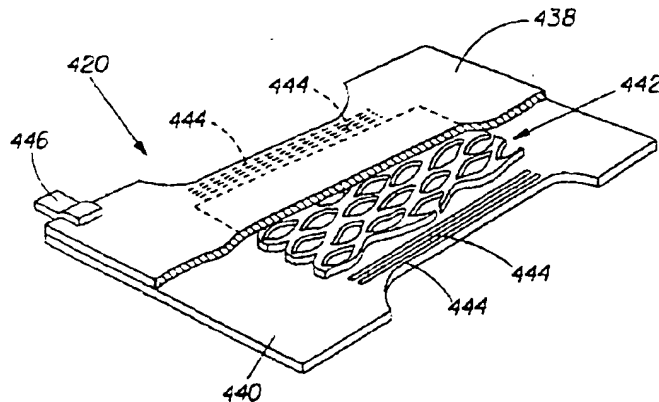
PCT

(10) International Publication Number  
WO 01/45616 A1

- (51) International Patent Classification<sup>7</sup>: A61F 13/15, 5/48, A47L 13/16, B26F 1/08, B32B 3/24, 5/04, 7/02, 27/06, 31/20
- (71) Applicant (for all designated States except US): THE PROCTER & GAMBLE COMPANY [US/US]; One Procter & Gamble Plaza, Cincinnati, OH 45202 (US).
- (21) International Application Number: PCT/US00/34746
- (72) Inventors; and
- (75) Inventors/Applicants (for US only): CURRO, John, Joseph [US/US]; 11604 Stablewatch Court, Cincinnati, OH 45249 (US). BENSON, Douglas, Herrin [US/US]; 206 Jamison Road, West Harrison, IN 47060 (US). STRUBE, John, Brian [US/US]; 4208 Jennifer Drive, Hamilton, OH 45013 (US).
- (22) International Filing Date:  
20 December 2000 (20.12.2000)
- (25) Filing Language: English
- (26) Publication Language: English
- (74) Agents: REED, T., David et al.; The Procter & Gamble Company, 5299 Spring Grove Avenue, Cincinnati, OH 45217-1087 (US).
- (30) Priority Data:  
09/467,938 21 December 1999 (21.12.1999) US  
09/584,676 31 May 2000 (31.05.2000) US
- (81) Designated States (national): AE, AG, AL, AM, AT, AU, AZ, BA, BB, BG, BR, BY, BZ, CA, CH, CN, CR, CU, CZ, CZ (utility model), DE, DE (utility model), DK, DK (utility model), DM, DZ, EE, EE (utility model), ES, FI, FI (utility model), GB, GD, GE, GH, GM, HR, HU, ID, IL, IN, IS, JP, KE, KG, KP, KR, KZ, LC, LK, LR, LS, LT, LU, LV, MA, MD, MG, MK, MN, MW, MX, MZ, NO, NZ, PL, PT, RO, RU, SD, SE, SG, SI, SK, SK
- (63) Related by continuation (CON) or continuation-in-part (CIP) to earlier applications:  
US 09/467,938 (CIP)  
Filed on 21 December 1999 (21.12.1999)  
US 09/584,676 (CIP)  
Filed on 31 May 2000 (31.05.2000)

[Continued on next page]

(54) Title: LAMINATE WEB COMPRISING AN APERTURED LAYER AND METHOD FOR MANUFACTURE THEREOF



WO 01/45616 A1

(57) Abstract: A laminate web comprising a first web, a second web joined to the first web at a plurality of discrete bond sites; and a third material disposed between at least a portion of the first and second nonwovens. The third material is apertured in regions adjacent the bond sites, such that the first and second nonwoven webs are joined through the apertures. In one embodiment an apertured laminate web is disclosed, having a first extensible web having a first elongation to break, and a second extensible web joined to the first extensible web at a plurality of bond sites, the second extensible web having elongation to break. A third web material is disposed between the first and second nonwovens, the third web material having a third elongation to break which is less than both of the first or second elongations to break. In a further embodiment, an apertured laminate web is disclosed, having first and second extensible webs being joined at a plurality of discrete bond sites and a third material disposed between the first and second nonwoven webs. The first and second nonwoven webs are in fluid communication via the apertures and have distinct regions being differentiated by at least one property selected from the group consisting of basis weight, fiber orientation, thickness, and density.



(utility model), SL, TJ, TM, TR, TT, TZ, UA, UG, US, UZ,  
VN, YU, ZA, ZW.

**Published:**

— *With international search report.*

(84) **Designated States (regional):** ARIPO patent (GH, GM, KE, LS, MW, MZ, SD, SL, SZ, TZ, UG, ZW), Eurasian patent (AM, AZ, BY, KG, KZ, MD, RU, TJ, TM), European patent (AT, BE, CH, CY, DE, DK, ES, FI, FR, GB, GR, IE, IT, LU, MC, NL, PT, SE, TR), OAPI patent (BF, BJ, CF, CG, CI, CM, GA, GN, GW, ML, MR, NE, SN, TD, TG).

*For two-letter codes and other abbreviations, refer to the "Guidance Notes on Codes and Abbreviations" appearing at the beginning of each regular issue of the PCT Gazette.*

LAMINATE WEB COMPRISING AN APERTURED LAYER AND METHOD FOR MANUFACTURE THEREOF

### CROSS-REFERENCE TO RELATED APPLICATIONS

This application is a continuation-in-part application of U.S. Serial No. 09/584,676, filed on May 31, 2000 in the names of Curro et al., which is a continuation-in-part of U.S. Serial No. 09/467,938, filed on December 21, 1999 in the names of Curro et al.

### FIELD OF THE INVENTION

This invention relates to a multilayer laminate web, and more particularly to a laminate web wherein at least a central layer is apertured. In some embodiments the entire multilayer laminate web is apertured.

### BACKGROUND OF THE INVENTION

Laminate webs formed by the joining of discrete webs in a layered relationship are well known in the art. For example, often laminate nonwoven webs are utilized in disposable absorbent articles such as diapers and adult incontinence products. Such laminated webs can be used as a topsheet, backsheets, or side panels. One example of a laminate web is a film/nonwoven laminate useful for a stretch side panel of a disposable diaper. Nonwoven/nonwoven laminates are also utilized to provide additional bulk or softness to a web component. Likewise, film/film laminate webs can provide benefits by combining the characteristics of various films in a layered relationship. Laminate webs can also be called composite webs.

Less common examples of laminate webs include laminates of dissimilar materials. The materials may be dissimilar in mechanical tensile properties, thermal properties, or visual/tactile properties. For example, a nonwoven web may be joined to a relatively stiff fabric to provide for a soft surface feel to the fabric. The dissimilar materials may be joined by melt bonding, adhesive bonding, ultrasonic bonding, and the like. Bonding methods are often determined by the materials themselves, but often require adhesive bonding. For example, a laminate or composite of materials having widely differing melt properties may require an adhesive layer between laminate layers. Even materials having similar melt properties, such as nonwoven and thermoplastic film materials are often joined by adhesive for adequate bonding to prevent unwanted delamination. Although adhesive may be necessary, such processing methods can be expensive due to the addition of adhesive, and the resulting laminate is often relatively stiff, depending on the laminate materials and the level of adhesive added.

Often laminate webs are intended to combine properties of the constituent layers to achieve synergistic benefits. For example, EP-B-715,571 issued to Wadsworth discloses a multilayered nonwoven composite web intended for use as a substitute for a woven web such as a textile web. The web comprises at least a layer of thermoplastic man-made fibers and a layer of cellulose-based fibers. The cellulose-based fiber layer is disclosed as thermally bonded to the thermoplastic man-made fiber layers at spaced apart locations. However, it appears that thermal bonding between both, or all, the layers is necessary to produce the requisite bonding.

EP-A-112,654 issued to Haq, et al. discloses a laminate comprising two sheets of nonwoven fabric or the like having sandwiched between them a solid core material which may be a highly porous, optionally liquid-containing, polymer. The two outer sheets are bonded to each other, without involving the core material, by means of a plurality of small, spaced bonding points, for example, spot-welds. Preferably the core material is in continuous sheet form and is perforated to accommodate the bonding points. However, it appears it would present a significant processing problem to register the perforations of the core material in order to have the outer layers bonded therethrough.

For many purposes it is desirable to have an apertured nonwoven web, the apertured web being characterized by a plurality of openings, or perforations, in the web. Such apertures can provide for an open mesh appearance, as well as beneficial texture and cloth-like properties. Such apertured nonwoven webs can be made by methods known in the art. For example, EP-B-164,740 issued to Shimalla discloses an apertured non-woven fabric comprising a web of thermoplastic fibers is described. The fabric is formed with a multiplicity of fused patterned regions and adjacent substantially non-fused regions, there being apertures formed within a plurality of the fused patterned regions but not within the adjacent regions. The fabric is produced by heat embossing a non-woven web of thermoplastic fibers at a temperature above the softening point of the fibers whereby the regions of the web compressed by the projections of the embossing means become fused, and immediately thereafter drafting the embossed web so that apertures are formed in the fused patterned regions. However, it is not apparent that the method disclosed would produce a laminate of nonwoven webs, or a laminate of dissimilar materials.

Another beneficial method of aperturing a nonwoven web, including laminates of nonwoven webs is disclosed in EP-A-852,483, issued to Benson et al. Disclosed is a laminate material having, for example, at least one layer of a spunbonded web joined to at least one layer of a meltblown web, a bonded carded web, or other suitable material. Such apertured webs are useful as the topsheet in a disposable absorbent article.

However, this disclosure does not teach laminating webs comprising dissimilar materials (e.g., materials of different material classes or having differing material properties).

A perforated multilayer elastic coversheet comprising an intermediate elastic layer between upper and lower nonwoven layers is disclosed in EP-A-784,461 issued to Palumbo. The upper and lower layers are connected to the intermediate layer only around the perimeters of the perforations. While providing an apertured, elastic laminate, it is not apparent that the method disclosed could produce laminates comprising thermally-dissimilar materials.

As mentioned, nonwoven webs are beneficial as components of disposable consumer products, such as diapers, incontinence briefs, training pants, feminine hygiene garments, and the like, as well as in wipes such as disposable wet wipes. However, used alone, such nonwovens are limited in the range of beneficial properties, including visual, tactile, strength or absorbent properties due to the limits of known methods of making, particularly as compared to woven or knitted materials. Importantly, laminates of nonwoven webs and other materials for use in disposable consumer products have heretofore been limited due to processing limitations, including incompatible materials (e.g., thermally dissimilar materials), cost considerations (e.g., adhesive lamination costs) or tactile properties (e.g., softness and visual aesthetics).

Nonwovens are also beneficial components of other consumer products, such as non-absorbent disposable garments, durable garments, automotive components, upholstered furniture, filtration media, and other consumer or commercial goods. Nonwovens used in these and other applications benefit from their wide range of visual and tactile properties. However, in many cases, the nonwovens used could benefit from being combined with other dissimilar materials in a composite web.

Accordingly, it would be desirable to have laminate webs of dissimilar material properties which are not dependent upon thermal compatibility of each constituent layer for structural integrity.

Additionally, it would be desirable to have a laminate web comprising nonwoven webs and component webs of different material properties.

Additionally, it would be desirable to have a laminate web formed by joining the constituent layers without adhesive.

Further, it would be desirable to have an apertured laminate web having visually distinct regions giving a fabric-like or knit-like look and feel.

### BRIEF SUMMARY OF THE INVENTION

A laminate web is disclosed, the laminate web comprising a first web, a second web joined to the first web at a plurality of discrete bond sites; and a third material disposed between at least a portion of the first and second nonwovens. The third material is apertured in regions adjacent the bond sites, such that the first and second nonwoven webs are joined through the apertures.

In one embodiment an apertured laminate web is disclosed, having a first extensible web having a first elongation to break, and a second extensible web joined to the first extensible web at a plurality of bond sites, the second extensible web having a second elongation to break. A third web material is disposed between the first and second nonwovens, the third web material having a third elongation to break which is less than both of the first or second elongations to break.

In a further embodiment, an apertured laminate web is disclosed, having first and second extensible webs being joined at a plurality of discrete bond sites and a third material disposed between the first and second nonwoven webs. The first and second nonwoven webs are in fluid communication via the apertures and have distinct regions being differentiated by at least one property selected from the group consisting of basis weight, fiber orientation, thickness, and density.

### BRIEF DESCRIPTION OF THE DRAWINGS

While the specification concludes with claims pointing out and distinctly claiming the present invention, it is believed the same will be better understood by the following drawings taken in conjunction with the accompanying specification wherein like components are given the same reference number.

FIG. 1 is a perspective of one embodiment of a laminate web of the present invention.

FIG. 2 is a cross-sectional view of a portion of the laminate web shown in Figure 1.

FIG. 3 is a magnified detail view of one bond site of a laminate web of the present invention.

FIG. 4 is a top plan view of another embodiment of the laminate web of the present invention.

FIG. 5 is a cross-sectional view of a portion of the laminate web shown in Figure 4.

FIG. 6 is a top plan view of another embodiment of the laminate web of the present invention.

FIG. 7 is a cross-sectional view of a portion of the laminate web shown in Figure 6.

FIG. 8 is a photomicrograph of one embodiment of a laminate web of the present invention.

FIG. 9 is a schematic representation of a process for making a laminate web of the present invention.

FIG. 10 is a perspective view of a melt bond calendaring apparatus.

FIG. 11 is a schematic representation of a pattern for the protuberances of the calendaring roll.

FIG. 12 is a perspective view of an apparatus for stretching a laminate of the present invention to form apertures therein.

FIG. 13 is a cross-sectional view of a portion of the mating portions of the apparatus shown in FIG. 12.

FIG. 14 is a perspective view of an alternative apparatus for stretching a laminate of the present invention in the cross-machine direction to form apertures therein.

FIG. 15 is a perspective view of another alternative apparatus for stretching a laminate of the present invention in the machine direction to form apertures therein.

FIG. 16 is a perspective representation of an apparatus for stretching a laminate of the present invention in both the cross-machine and machine directions to form apertures therein.

FIG. 17 is a perspective view of a disposable absorbent article having components that can be made of laminate web material of the present invention.

FIG. 18 A-B are cross-sectional photographs of a bond site before and after the tensioning step to form an aperture.

### **DETAILED DESCRIPTION OF THE INVENTION**

As used herein, the term "absorbent article" refers to devices which absorb and contain body exudates, and, more specifically, refers to devices which are placed against or in proximity to the body of the wearer to absorb and contain the various exudates discharged from the body. The term "disposable" is used herein to describe absorbent articles which are not intended to be laundered or otherwise restored or reused as an absorbent article (i.e., they are intended to be discarded after a single use and, preferably, to be recycled, composted or otherwise disposed of in an environmentally compatible manner). A "unitary" absorbent article refers to absorbent articles which are formed of separate parts united together to form a coordinated entity so that they do not require separate manipulative parts like a separate holder and liner.

As used herein, the term "nonwoven web" is used in its plain meaning as understood in the art and refers to a web that has a structure of individual fibers or threads

which are interlaced in any regular, repeating manner. Nonwoven webs have been, in the past, formed by a variety of processes, such as, for example, meltblowing processes, spun processes and bonded carded web processes.

As used here, the term "microfibers", refers to small diameter fibers having an average diameter smaller than about 100 microns.

As used here, the term "meltblown fibers" refers to fibers formed by extruding a molten thermoplastic material through a plurality of fine, usually circular, die capillaries as molten threads into a high velocity gas (e.g., air) stream which attenuates the filaments of molten thermoplastic material to reduce their diameter, which may be to a microfiber diameter. Thereafter, the meltblown fibers are carried by the high velocity gas stream and are deposited on a collecting surface to form a web of randomly dispersed meltblown fibers.

As used here, the term "spunbonded fibers", refers to small diameter fibers which are formed by extruding a molten thermoplastic material as filaments from a plurality of fine, usually circular, capillaries of a spinneret with the diameter of the extruded filaments being rapidly reduced by drawing.

As used here, the term "unitary web" refers to a layered web comprising two or more webs of material including nonwoven webs, that are sufficiently joined, such as by thermal bonding, to be handled, processed, or otherwise utilized as a single web.

As used here, the terms "laminated" and "composite" when used to describe webs of the present invention, are synonymous. Both refer to a web structure comprising at least two webs joined in a face-to-face relationship to form a multiple-layer unitary web.

As used here, the term "polymer" generally includes, but is not limited to, homopolymers, copolymers, such as, for example, block, graft, random, and alternating copolymers, terpolymers, etc., and blends and modifications thereof. Furthermore, unless otherwise specifically limited, the term "polymer" shall include all possible geometrical configurations of the material. These configurations include, but are not limited to, isotactic, syndiotactic and random symmetries.

As used here, the term "elastic" refers to any material which, upon application of a biasing force, is stretchable, that is, elongatable, at least about 60 percent (i.e., to a stretched, biased length which is at least about 160 percent of its relaxed unbiased length), and which will recover at least 55 percent of its elongation upon release of the stretching, elongating force. A hypothetical example would be a one (1) inch sample of a material which is stretchable to at least 1.60 inches, and which, upon being elongated to 1.60 inches and released, will recover to a length of not more than 1.27 inches.



Many elastic materials may be elongated by more than 60 percent (i.e., much more than 160 percent of their relaxed length), for example, elongated 100 percent or more, and many of these materials will recover to substantially their initial relaxed length, for example, to within 105 percent of their initial relaxed length, upon release of the stretch force. Such materials are denoted herein by the term "highly elastic" which refers to any material which upon application of a biasing force, is stretchable, that is, elongatable, at least about 200 percent (i.e., to a stretched, biased length, which is at least about 300 percent of its relaxed unbiased length), and which, will to within 105 percent of their initial relaxed length, upon release of the stretch force. Therefore, highly elastic materials are generally also elastic, but not all elastic materials are highly elastic.

As used herein, the term "nonelastic" refers to any material which does not fall within the definition of "elastic" above.

As used herein, the term "extensible" refers to any material which, upon application of a biasing force, is elongatable, at least about 25 percent without experiencing catastrophic failure. Catastrophic failure includes substantial tearing, fracturing, rupturing, or other failure in tension such that, if tested in a standard tensile tester, the failure would result in a sudden significant reduction in tensile force. As used herein, the term "highly extensible" refers to any material which, upon application of a biasing force, is elongatable, at least about 100 percent without experiencing catastrophic failure.

### The Laminate Web

The laminate web **10** of the present invention comprises at least three layers or plies, disposed in a layered, face-to-face relationship, as shown in FIG. 1. The layers should be sufficiently thin to be processible as described herein, but no actual thickness (i.e., caliper) is considered limiting. A first outer layer **20**, is preferably thermally bondable, and is preferably a nonwoven web comprising a sufficient quantity of thermoplastic material, the web having a predetermined extensibility and elongation to break. By "sufficient quantity" is meant a quantity of thermoplastic material adequate to enable enough thermal bonding upon application of heat and/or pressure to produce a unitary web. A second outer layer, **40**, is preferably the same material as first outer layer **20**, but may be a different material, also being thermally bondable and having a predetermined extensibility and elongation to break. At least one third central layer **30** is disposed between the two outer layers. The laminate web **10** is processed by joining means, such as by ultrasonic welding, or thermal calendaring as described below to provide a plurality

of melt bond sites 50 that serve to couple the outer layers 20 and 40, and, in some embodiments, portions of central layer 30, thereby forming the constituent layers into a unitary web. When joined together, the two outer layers form an interior region between them. The interior region is the space between the outer layers surrounding the bond sites 50. In a preferred embodiment, the third central layer 30 substantially fills the interior region, the third central layer 30 being apertured coincident the bond sites 50.

While the laminate web 10 is disclosed primarily in the context of nonwoven webs and composites, in principle the laminate web 10 can be made out of any web materials that meet the requirements, (e.g., melt properties, extensibility) as disclosed herein. For example, the outer layers 20 and 40 can be thermoplastic films, micro-porous films, apertured films, and the like. Central layer 30 can be paper, including tissue paper; metal, including metal foil; other non-thermoplastic web material, woven fabric, and the like. In general, it is required that outer layer materials be flexible enough to be processed as described herein. However, central layer can be a brittle, relatively stiff material, as long as it also can be processed as described herein, albeit possibly becoming fractured, broken, or otherwise broken up in the process. One of the unexpected advantages of the present invention, therefore, is the discovery that novel web properties can be exhibited by the choice of central layer 30 disposed between the two outer layers.

#### Non-Apertured Embodiment

In one embodiment, as shown in cross-section in FIG. 2, central layer 30 can be apertured, without aperturing the two outer layers to provide a three-layer laminate characterized by the laminate web 10 (as a whole) being un-apertured, while the central layer 30 is apertured. Importantly, the web of the present invention can be made by the method of the present invention without requiring registration of the layers to ensure bonding of the outer layers through the apertures of the central layer(s). One way of describing a preferred embodiment of a web 10 as described above, is that the unitary web 10, when viewed orthogonally by the un-aided human eye from a distance of approximately 50 cm, exhibits no apertures or perforations through the entire laminate, but bond sites 50 are nevertheless visible.

The laminate web 10 is further characterized in that the joining of the three plies into a unitary web can be achieved in the absence of adhesive. That is, in certain preferred embodiments no adhesive is required to bond the plies together; joining is achieved by the input of energy into the constituent layers, such as by thermal melt bonding of the two outer layers together at the melt bond sites 50. In other embodiments, the energy input can be via ultrasonic bonding. Accordingly, a significant benefit of the

present invention is the provision of a laminate web, that is a unitary web, formed without the use of adhesives. Not only does this simplify processing and lower the cost of the laminate web, when certain materials such as nonwoven webs are used, it results in a more flexible, softer web.

As shown in FIG. 2, central layer 30 is chosen such that when the constituent web layers of laminate web 10 are processed by the method of the present invention, portions of central layer 30 in the region of the melt bond sites 50 separate to permit the first outer layer 20 to melt bond directly to the second outer layer 40 at the interface of the two materials 52 at melt bond sites 50. Thus, apertures in the central layer 30 are formed in the lamination step by displacement, just prior to the bonding of the outer layers as detailed by the method of the present invention below. In this manner, central layer 30 can be provided as an unapertured web, avoiding complex registration steps to align apertures in registry with bond sites when laminated. Further, central layer 30 need not be thermally compatible with outer layers 20 and 40. Central layer need not be a thermoplastic material, and need not even have a melting point. It simply needs to be displaceable by the forces exerted by the processing equipment as detailed below. Therefore, one way of describing the laminate web of the present invention is to distinguish the central layer as being a material differentiated from the materials of the first or second layers by at least one material property selected from thermal properties, elongation properties, elastic properties, or conductive properties. By "thermal properties" is meant primarily thermal melt properties, such that the central layer has no melting point, or if it has a melting point, it is preferably at least about 10 degrees Centigrade higher, more preferably about 20 degrees Centigrade higher than either outer layer, and can be 100 degrees Centigrade higher than either outer layer. By "elongation properties" is meant that in tension, the material of the central layer exhibits an elongation to break that is at least 10% less than either outer layer, more preferably 50% less than either outer layer, and can be greater than 100% less than either outer layer. Thus, the central layer can be extensible, while either outer layer can be highly extensible. By "elastic properties" is meant that the central layer can be, for example, elastic, while either outer layer can be highly elastic, as defined herein. Or the central layer can be non-elastic, and the outer layers elastic or highly elastic. By "conductive properties" as used herein is meant electrically conductivity, such that the central layer can have an electrical conductivity that is 10 times, and more preferably 100 or more times as great as the outer layers. Conductive properties may be facilitated by the central layer being a metallic foil, or by being a conductive polymer, including a conductive nonwoven web.

Another advantage of the method of the present invention is that, in some embodiments, e.g., for solid core central layer 30 materials (i.e., a continuous sheet, that is, not having substantial apertures, gaps, or other voids), it results in a unitary web having an apertured central layer 30 in full, intimate contact with the outer layers 20, and 40. By "full" and "intimate" is meant that central layer 30 fills all the unbonded regions between outer layers 20 and 40 such that outer layers 20 and 40 do not contact except at the bond sites 50. Of course, it is recognized that many materials of interest have significant air content, and filling "all" the unbonded region between outer layers 20 and 40 is not meant to imply that all air content is removed.

Central layer 30 can be involved, or participate, in the bonding between outer layers 20 and 40. By "involved" is meant that the central layer can, to some extent, be in intimate contact with, and possibly partially merged with, one or both immediate outer layers. The involvement may be due to actual melt bonding about the perimeter of bond site 50 (e.g., for thermoplastic central layers 30), or it may be due to mechanical interaction, such as by entanglement (e.g., for cellulosic fibrous central layer 30 between fibrous nonwoven layers), also about the perimeter of bond site 50. For example, FIG. 18-A shows in cross-section a unitary web comprising two outer nonwoven layers and a cellulosic tissue paper central layer. As can be seen, the lighter-colored central layer, due to the process of being "squeezed" apart, is intimately involved with the two outer layers at the bond site.

Without being bound by theory, it is believed that the process of the present invention facilitates such separation of central layer 30 by shearing, cutting, or otherwise fracturing the central layer 30, and displacing the material of the central layer 30 sufficiently to permit thermal bonding of the two outer layers 20 and 40. Thus, central layer 30 must be chosen to have properties that permit such displacement. Therefore, central layer 30 should have one or more of the properties of relatively low extensibility, relatively high frangibility, or relatively high deformability, such that the material of central layer 30 can be "squeezed" or otherwise displaced out of the region of thermal bond sites 50. Importantly, it is not required that the central layer 30 be melted out of the region of the thermal bond sites. Thus, central layer can be elastic, highly elastic, extensible, or highly extensible, depending on the desired end results and purposes of the resulting unitary web.

Without being bound by theory, it is believed that to accomplish the displacement of central layer 30 to form apertures therein and to bond the outer layers, the thermal point calendaring described below should form thermal bond sites having a narrow width  $W$  dimension and a high aspect ratio. For example, FIG. 3 shows the melt area of a single

melt bond site **50** having a narrow width dimension **W** and a high aspect ratio, *i.e.*, the length, **L**, is much greater than the width, **W**. The length **L** should be selected to permit adequate bond area while width **W** is sufficiently narrow such that the protuberance used to form the bond site (as described below) can cut, shear, displace, or otherwise pierce the central layer **30** at the region of the bond sites by the method described below. Width **W** can be between about 0.003 inches and 0.020 inches, but in a preferred embodiment, is between about 0.005 inches and 0.010 inches, and may be adjusted depending on the properties of central layer **30**.

It is believed that the aspect ratio of melt bond site **50** can be as low as about 3 (*i.e.*, ratio of **L/W** equals 3/1). It can also be between about 4 and 20. In one preferred embodiment, the aspect ratio was about 10. It is believed that the aspect ratio of the melt bond sites **50** is limited only by the corresponding aspect ratio of the point bonding protuberances of the calendaring roller(s), as detailed below.

In a preferred embodiment, the longitudinal axis of each bond site, **1**, which corresponds directionally to the length dimension of bond site **50**, is disposed in a regular, repeating pattern oriented generally parallel to the machine direction, **MD** as shown in FIG. 1. But the longitudinal axis of each bond site may be disposed in a regular, repeating pattern oriented in the cross machine direction, or randomly oriented in a mixture of cross and machine directions. For example, the bond sites **50** can be disposed in a "herringbone" pattern.

When nonwoven webs are used as constituent layers of laminate **10**, an important distinction should be drawn between bond sites **50** which bond together outer layers **20** and **40** by the method of the present invention, and thermal bond sites that may be present in the constituent layers themselves. For example, nonwoven webs are typically consolidated by thermal bonding in a regular pattern of discrete spaced apart fused bonding areas, such as the pattern disclosed in U.S. Pat. No. 3,855,046 to Hansen et al., and the patterns shown generally in FIGs. 10 and 11 of U.S. patent 5,620,779 to Levy et al. Other films, nonwoven webs, and the like may have thermal embossments for aesthetic reasons. Therefore, in the unitary web **10** there may be many thermal bond sites, some of which are bond sites **50**, and others which are bond sites in the base nonwoven, for example.

The bond sites of the base nonwoven do not typically have an aspect ratio greater than about 1, so that these bonds do not typically form apertures in the constituent layer during the stretching step disclosed below. Also, the spacing of such bond sites is typically a repeating pattern of bonded and unbonded area which may or may not provide for machine direction (**MD**) columns of bonded area next to columns of unbonded area.

After forming bond sites 50, however, there is not likely to be any significant MD columns of unbonded areas; the overall bond pattern of any constituent nonwoven fabric is a combination of existing bonded areas and bond sites 50. Together the two sets of bond sites result in a complex pattern of bond sites that may or may not be described as columnar, regular, or uniform.

The resulting web of the present invention, as shown in cross-section in FIG. 2, is a laminate web 10 that is itself unapertured, but the central layer 30 is apertured coincident the regions of the bond sites 50. As stated above, by "unapertured" is meant that, on the whole, the laminate web 10 is considered unapertured. It is recognized that the unapertured laminate web 10 of the present invention may have localized cut through, or tearing at bond sites 50 due to materials and processing variability or post lamination handling. Ideally, such cut through of the entire web is minimized and eliminated. Likewise, it is recognized that in some instances, there may not be complete displacement of the central layer 30 at all locations of bond sites 50 such that some localized portions of central layer 30 may not be apertured (and the outer layers not bonded). Nevertheless, the description herein is made for the laminate web 50 as a whole, and is not meant to be limited by aberrations or anomalies due to potential material or processing variables.

To produce the webs of the present invention, including as described in FIG. 2, the outer layers should have sufficient elongation to permit the necessary local deformation in the immediate vicinity of bond sites 50. Thus, the outer layers 20 and 40 can be extensible, highly extensible, elastic, or highly elastic.

The central layer 30 itself need not be thermally compatible with the outer layers. The central layer 30 need not even be melt processible. It can be, for example, a cellulosic material, such as paper; a metallic material, such as a metal foil; a woven or knit material, such as cotton or rayon blends; or a thermoset material, such as a polyester or aromatic polyamide film. The central layer 30 can be another nonwoven having suitable properties for processing into an apertured layer. If central layer 30 has a melting point, it is preferably at least about 10 degrees Centigrade higher, more preferably about 20 degrees Centigrade higher than the outer layers. In certain embodiments, for example a metal foil central layer 30 between thermoplastic nonwoven outer layers, the central layer can have a melting point at least 100 degrees Centigrade higher than the outer layers. However, central layer 30 need not have a melting point, and may simply experience softening at the calendaring temperatures required to bond the laminate. In certain central layer materials, such as metal foils, there may not be any softening due to thermal processing of the web.

The wide range of possible central layer materials permits a surprising variety of structures of the present invention, each having beneficial application in a wide assortment of end uses. For example, when outer layers of nonwoven material are used with a central layer of metal foil, the resulting laminate is a flexible, soft, formable, conductive web that is relatively quiet when folded, crumpled or otherwise deformed. Such a material can be used in applications requiring electrical shielding, for example. When a central layer of tissue paper is used, the resulting laminate is a soft, bulky, absorbent web. Such a laminate is suitable for use as a wiping implement, for example. Further, since the laminate web 10 is formed without the use of thermoplastic adhesives, durable, garment-like properties can be obtained. Such laminates can be laundered a number of times before suffering unacceptable wear.

By way of example, laminate web 10 can be a conductive fabric comprising relatively non-conductive thermoplastic outer layers 20 and 40 and a relatively conductive central layer 30. The outer layers can be non-woven webs for a low cost, soft, breathable conductive fabric. The central layer can be a metal foil, such as a copper foil or an aluminum foil. The central layer can also be a conductive polymer, a non-foil conductive fabric, or a composite conductive material. In general, as a conductive fabric embodiment, the outer layers should serve to insulate the conductive central layer(s). In a preferred three-layer embodiment the outer layers each have a first electrical resistance and the central layer has a second electrical resistance which is at least one-tenth the first electrical resistance, more preferably one-hundredth (i.e., the central layer is 10 times, preferably 100 times as conductive as the outer layers).

A conductive laminate web 10 can find use as a sheet of conductive material for signal propagation. It can also find use as a shielding material. In particular, the aspect ratio of the bond sites 50 can be predetermined for particular shielding characteristics. By altering the length, width, and orientation of the bond sites 50 certain wave propagation of electro-magnetic waves can be altered or stopped. For example, the bond sites 50, which represent penetration of the conductive central layer, can be designed to be effective in filtering certain wavelengths of electromagnetic radiation. In addition to the electrical characteristics of such a web, the laminate web 10 can be, and preferably is, very flexible and formable, such that the conductive or shielding benefits can be applied in a non-planar fashion. For example, sensitive electronic equipment can be wrapped with a fabric shield.

A further benefit of the present invention is the capability to combine both thermoplastic and non-thermoplastic materials without any adhesives, to provide fabric-like composites having unique physical properties. For example, a material having high

tensile strength and resistance to tear can include as a central layer 30 TYVEK®, available from DuPont, Wilmington Delaware, USA. TYVEK®, and equivalent or similar materials under other tradenames, is an extremely strong but breathable polyolefin nonwoven, commonly used as a house-wrap layer. However, it is not soft and clothlike, but has the look and feel of a plastic film. When used in a laminate web 10 of the present invention, for example with nonwoven outer layers, the laminate web exhibits the softness of a nonwoven with the strength of the TYVEK® layer. Again, this laminate can be, and is preferably, made without the use of adhesives to bind the web into a unitary web.

Further, relatively strong materials such as TYVEK® can be combined with additional central layers 30 to make laminate webs 10 having a variety of physical properties. For example, a laminate web comprising a TYVEK® layer can also comprise an absorbent layer, such a layer of absorbent tissue paper, such as BOUNTY® paper towel, available from The Procter & Gamble Co., Cincinnati Ohio, USA and one or more outer layers of polyethylene nonwoven (e.g. Corolind, available from BBA, Simpsonville, S.C., USA). Such a composite formed according to the method of the present invention can be transformed into a highly textile-like material, exhibiting the unusual combined properties of relatively high absorbency (from the BOUNTY® paper towel layer(s)), and relatively high strength (from the TYVEK® layer(s)).

#### Apertured Embodiments

A further benefit of the present invention is obtained when the non-apertured thermally bonded laminate web described above is stretched or extended in a direction generally orthogonal to the longitudinal axis, **L**, of melt bond sites 50. The melt bonding at the melt bond sites 50 tends to make localized weakened portions of the web at the bond sites. Thus, as portions of the web 10 are extended in a direction generally orthogonal to the longitudinal axis **L** of bond sites 50, the material at the bond site fails in tension and an aperture is formed. The relatively high aspect ratio of melt bond sites 50, permits a relatively large aperture to be formed upon sufficient extension. When the laminate web 10 is uniformly tensioned, the result is a regular pattern of a plurality of apertures 60 corresponding to the pattern of melt bond sites 50.

FIG. 4 shows a partially cut-away representation of an apertured laminate of the present invention. As shown, the partial cut-away permits each layer or ply to be viewed in a plan view. The laminate web 10 shown in FIG. 4 is produced after the thermally bonded laminate is stretched in a direction orthogonal to the longitudinal axis of the melt bond sites, in this case, in the cross-machine direction, **CD** with sufficient elongation in the direction of extension to cause apertures to form. As shown, where formerly were



melt bond sites 50, apertures 60 are produced as the relatively weak bond sites fail in tension. Also as shown, central layer 30 can remain generally uniformly distributed within laminate 10, depending on the material properties of central layer 30. For example, if central layer 30 is more extensible than outer layers 20 or 40, then it simply extends, either elastically or by plastic deformation, but remains generally uniformly distributed in the unapertured regions of web 10. For example, if a thermoplastic film is utilized as the central layer 30, it extends, either extensibly or elastically (depending on the type of film), but can remain generally uniform, for example, in density or basis weight.

When apertures 60 are formed, the thermally bonded portions of outer layers 20 and 40 remain primarily on the portions of the aperture perimeters corresponding to the length dimension of bond sites 50. Therefore, each aperture 60 does not have a perimeter of thermally bonded material, but only portions remain bonded, represented as 62 in FIG. 4. One beneficial property of such a laminate web is that once apertured, fluid communication with the central layer is facilitated. Thus, an absorbent central layer 30 can be used between two relatively non-absorbent outer layers, and the laminate 10 could be an absorptive wiper with a relatively dry to the touch outer surface.

To the extent that central layer 30 is involved, or participates, in any bonding between outer layers 20 and 40, it also participates in the remnant of bonded portions 62, as shown in FIG. 4. The involvement may be due to some degree of actual melt bonding about the perimeter of bond site 50 (e.g., for thermoplastic central layers 30), or it may be due to mechanical interaction, such as by entanglement (e.g., for cellulosic fibrous central layer 30 between fibrous nonwoven layers).

FIG. 5 is a schematic representation of the cross-section denoted in FIG. 4. As shown, apertures 60 form when the laminate web is elongated in the direction T.

Another benefit of the present invention is obtained when the laminate is extended as described with reference to FIG. 4, but the central layer 30 is chosen to have an elongation to break less than either of the two outer layers, and less than the actual magnitude of extension. Thus, upon extension of the laminate web generally orthogonal to the longitudinal axis, I, sufficient to form apertures in outer layers 20 and 40 (and thus the entire laminate web 10) central layer 30 fails in tension. Therefore, central layer 30 fractures (i.e., fails in tension) upon sufficient extension, such that after extension central layer 30 is no longer uniformly distributed over the non-apertured regions of the laminate web 10.

An example of one embodiment of a unitary web having a central layer having an elongation to break less than either of the two outer layers, and less than the actual

magnitude of extension, is shown partially cut-away in FIG. 5. The partial cut-away permits each layer or ply to be viewed in a plan view. As shown, after extension, central layer 30 becomes fragmented, forming discontinuous regions of the central layer material. These discontinuous regions may be relatively uniformly distributed, such as in rows as shown in FIG. 5, or may be relatively randomly distributed, depending on the pattern of melt bond sites 50, the physical properties of central layer 30, and the method of extension employed.

One example of a web 10 having a structure similar to that shown in FIG. 5 is a web having outer layers of relatively extensible nonwovens, with a central layer of relatively low extensibility tissue paper. Such a laminate would be an apertured laminate web having an absorbent central core, wherein the absorbent core material is in fluid communication with regions exterior to the laminate web. That is, for example, if such a laminate web comprised nonwoven outer layers, it could be used as an absorbent wiper. Fluids could thus be absorbed via the apertures, the perimeter of which can be open at portions which provide fluid communication to the absorbent central core. If a relatively hydrophobic nonwoven web is used for the outer layers, such a wiper could exhibit dry-to-the-touch properties along with high absorbency.

One example of a web 10 having a structure similar to that shown in FIG. 5 is a web having outer layers of relatively extensible nonwovens, with a central layer of relatively low extensibility tissue paper. One particularly interesting structure incorporates a highly hydrophobic outer layer combined with a highly absorbent central layer. A suitable hydrophobic material is described in U.S. Patent 3,354,022 Detre et al. Such a material has a water repellent surface having an intrinsic advancing water contact angle of more than 90 degrees and an intrinsic receding water contact angle of at least 75 degrees. Such a material exhibits extremely hydrophobic properties, similar to the effect known to exist on leaves from the Lotus plant. When such a material is combined with an absorbent central layer, such as a BOUNTY® paper towel tissue layer, the resulting composite can be highly absorbent while retaining a very clean and dry outer surface. The basis weight and porosity of the outer layer can be varied to achieve different degrees of absorbent performance. In one embodiment the laminate could also be post-laminated to a fluid-impervious backing layer to form an absorbent fluid barrier. The fluid-impervious backing layer could be a flexible polymeric film for use such absorbent articles as sanitary napkins, diapers, place mats, floor mats, protective covers, and the like.

One surprising beneficial characteristic of the laminate web structure of the present invention described with reference to FIG. 6 is the presence of distinct regions in the non-apertured portion of the web being differentiated by at least one property selected from

the group consisting of basis weight, thickness, or density. As shown in the cross-section of FIG. 7, several such regions can be differentiated. In a preferred embodiment, the regions are visually distinct, giving the laminate an aesthetically pleasing look and feel. The regions may also give the laminate a garment-like or knit-like texture and hand.

With reference to FIG. 7, several structurally distinct regions can be identified in the cross-section shown. The region denoted **64** corresponds to the aperture **60**. In the non-apertured area of the web, a region **66** is a relatively high basis weight region comprising central layer **30**. Region **68** represents the portion of the laminate web in which central layer **30** has fractured and separated, *i.e.*, is no longer fully present, forming a relatively low basis weight region of web **10**. In general, the higher basis weight regions will also be correspondingly higher density regions, but need not be so. For example, a post-extension embossing process can be applied to web **10** to form regions of multiple densities in addition to the regions of multiple basis weight. For either the high basis weight regions or the high density regions, often the differences can be discernible by simply rubbing the laminate web between the fingers.

In general, for a laminate web **10** having generally parallel rows of melt bond sites **50** extending in the machine direction **MD**, which correspondingly form generally parallel rows of apertures when extended, and having a central layer with a lower elongation to break than the outer layers, the resulting extended, apertured laminate web **10** is characterized by generally low basis weight, low density regions between the apertures in the machine direction, **MD**, *e.g.*, region **68** in FIGs. 6 and 7. Likewise, such a laminate web **10** is characterized by relatively high basis weight, high density regions between adjacent rows of apertures in the cross-machine direction, **CD**, *e.g.*, region **66** in FIG. 7. By choice of central layer material **30** and possibly post laminating operations, *e.g.*, an embossing process, the thickness of the laminate web can likewise be varied, the thicker regions generally corresponding to the higher density regions.

On particularly useful embodiment of a laminate web as described with reference to FIG. 7, is a conductive fabric for signal transmission via a plurality of closely-spaced, parallel signal conductors. For example, if a conductive metal foil is used as central layer **30**, upon sufficient extension in the **CD** by the incremental stretching operation described below, the metal foil fractures into a plurality of discrete conductive ribbons corresponding to the high basis weight region **66** of FIG. 7. Outer layers **20** and **40** are preferably chosen for their insulating properties, and are, therefore, preferably thermoplastic polymeric material. For high-speed transmission of electrical signals, a low-dielectric material, such as polytetrafluoroethylene (PTFE), and preferably expanded PTFE (*e.g.*, GORE-TEX® available from W. L. Gore and Associates, Newark, DE, USA)

can be used as the insulating outer layers. Additional outer layers can be added (e.g., post laminate formation), including additional conductive layers to form a shielded ribbon cable. Figure X shows an example of such a conductive ribbon . . .

Another embodiment of a laminate web of the present invention utilizing nonwoven webs as the outer layers is characterized by distinct regions differentiated by fiber orientation. Differential fiber orientation can be achieved by providing for localized regions within the web that experience greater extension than other regions. For example, by locally straining the web 10 to a greater degree in the regions corresponding to regions 68 in FIG. 6, regions of significant fiber reorientation are formed. Such localized straining is possible by the method of the present invention detailed below.

FIG. 8 is a photomicrograph showing in magnified detail a web of the present invention comprising nonwoven outer layers which has been extended to form apertures, and locally extended to produce regions 68 of fiber reorientation. As can be seen in FIG. 8, by locally extending portions of the web to a greater extent than others, the apertures formed thereby can be of different sizes. Thus, the region denoted generally as 70 in FIG. 8 has undergone more strain (i.e., local extension) than the region denoted by 72. Thus, the apertures in region 70 are larger than those in region 72, and the basis weight of the nonwoven web material in region 72 is less than the basis weight of the nonwoven web in region 70. In addition to the difference in basis weight due to localized strain differentials, the laminate web of the present invention can also exhibit distinct regions 68 of fiber reorientation. In these regions, the fibers have been reoriented from a generally random orientation to a predominant orientation in the direction of extension.

To make a web 10 as shown in FIG. 6, central layer 30 can be any of a great number of dissimilar materials. For example, if outer layers 20 and 40 are nonwoven webs having a relatively high elongation to break, central layer 30 can be paper, tissue paper, thermoplastic film, metal foil, closed or open cell foam, or any other material that has a relatively low elongation to break compared to the two outer layers. The outer layer materials may themselves be dissimilar, with the only constraint being that the central layer be relatively less extensible in the direction of extension to form apertures.

Additionally, more than one central layer 30 can be used with beneficial results. For example, a structure comprising a cellulosic tissue central web and a polymeric film central web between two nonwoven webs can produce an absorptive wiping article with one side being relatively more absorptive than the other. If the film layer is a three-dimensional formed film, the film side can provide added texture to the laminate which is beneficial in many wiping applications. Macroscopically-expanded, three-dimensional formed films suitable for use in the present invention include those described in

commonly-assigned U.S. Pat. No. 3,929,135 issued to Thompson on December 30, 1975, and U.S. Pat. No. 4,342,314 issued to Radel et al. on August 3, 1982, both patents hereby incorporated herein by reference.

The (or "a") central layer can also be elastomeric, and can be an elastomeric macroscopically-expanded, vacuum-formed, three-dimensional formed film, such as described in commonly-assigned U.S. Ser. No. 08/816,106, entitled "Tear Resistant Porous Extensible Web" filed by Curro et al. on March 14, 1997, and hereby incorporated herein by reference. Further, the (or "a") central layer can be a three-dimensional formed film having micro-apertures such as described in commonly-assigned U.S. Pat. No. 4,629,643 issued to Curro et al. on December 16, 1986, and 4,609,518, issued to Curro et al. on September 2, 1986, both of which are hereby incorporated herein by reference.

The (or "a") central layer can be a web material having a strainable network as disclosed in U.S. Pat. No. 5,518,801 issued to Chappell et al. on May 21, 1996, and hereby incorporated herein by reference. Such a web can be a structural elastic-like film (SELF) web, formed by, for example, embossing by mating plates or rolls.

The (or "a") central layer can be an absorbent open cell foam web material. Particularly suitable absorbent foams for high performance absorbent articles such as diapers have been made from High Internal Phase Emulsions (hereafter referred to as "HIPE"). See, for example, U.S. Patent 5,260,345 (DesMarais et al), issued November 9, 1993 and U.S. Patent 5,268,224 (DesMarais et al), issued December 7, 1993, hereby incorporated herein by reference. These absorbent HIPE foams provide desirable fluid handling properties, including: (a) relatively good wicking and fluid distribution characteristics to transport the imbibed urine or other body fluid away from the initial impingement zone and into other regions of the foam structure to allow for subsequent gushes of fluid to be accommodated; and (b) a relatively high storage capacity with a relatively high fluid capacity under load, i.e. under compressive forces.

The central layer 30 may comprise absorbent gelling materials. For example, superabsorbers or hydrogel materials may provide for superior absorbency when the laminate web of the present invention is used as an absorbent wipe or an absorbent core in a disposable absorbent article. By "hydrogel" as used herein is meant an inorganic or organic compound capable of absorbing aqueous fluids and retaining them under moderate pressures. For good results the hydrogels should be water insoluble. Examples are inorganic materials such as silica gels and organic compounds such as cross-linked polymers. Cross-linking may be by covalent, ionic, vander Waals, or hydrogen bonding. Examples of polymers include polyacrylamides, polyvinyl alcohol, ethylene maleic

anhydride copolymers, polyvinyl ethers, hydroxypropyl cellulose, carboxymethyl cellulose, polyvinyl pyridine and the like.

One benefit of the laminate of the present invention is the ability to make a laminate structure of dissimilar materials without the use of adhesive for joining. Because the central layer of the laminate web 10 is penetrated by the protuberances of the calendaring roll at melt bond sites, it can comprise non-thermally-bondable materials. The plurality of melt bond sites 50 are sufficient to keep the component webs together in the laminate web, so that the laminate web behaves as a unitary web for processing integrity and use, without unwanted delamination. However, in some embodiments, and for certain materials, it may be beneficial to apply adhesive between at least two of the constituent layers.

The laminate web of the present invention, being bonded by a plurality of relatively closely spaced thermal bond sites (without the use of thermoplastic adhesives) can be beneficially used for durable articles. For example, a laminate web of the present invention comprising nonwoven web outer layers and having a clothlike feel and appearance, can be used in durable garments. Certain embodiments of the laminate web of the present invention can survive repeated washing and drying in household washing and drying equipment, depending on the component webs of the laminate, and the level of thermal bonding. Due to the knit-like or fabric-like look and feel of certain embodiments of the present invention, such durability can result in durable garment components such as interliners and the like.

#### METHOD OF MAKING

Referring to FIG. 9 there is schematically illustrated at 100 a process making a laminate web of the present invention.

A first web 120 which can be a relatively extensible web, is unwound from a supply roll 104 and travels in a direction indicated by the arrows associated therewith. Likewise a second web 140, which can be a relatively extensible web is unwound from supply roll 105. A central layer 130, which can be a relatively inextensible layer, is likewise drawn from supply roll 107. The three components (or more, if more than one central layer is used) pass through a nip 106 of the thermal point bond roller arrangement 108 formed by rollers 110 and 112.

In addition to thermoplastic nonwoven materials, either outer layer can comprise a polymeric film, for example a polyolefinic (e.g., PP or PE) thin film. If the entire outer layer is not uniformly thermoplastic, at least sufficient amounts to effect melt bonding

must be thermoplastic. Conjugate fibers, such as bicomponent fibers can be used in the outer layers to facilitate thermal bonding of the outer layers. Either outer layer can comprise a formed film, such as a three-dimensional formed film having micro-apertures such as described in commonly-assigned U.S. Pat. No. 4,629,643 issued to Curro et al. on December 16, 1986, and 4,609,518, issued to Curro et al. on September 2, 1986, both of which are hereby incorporated herein by reference.

In a preferred embodiment, both outer layers comprise nonwoven materials, and may be the identical. The nonwoven material may be formed by known nonwoven extrusion processes, such as, for example, known meltblowing processes or known spunbonding processes, and passed directly through the nip 106 without first being bonded and/or stored on a supply roll. However, in a preferred embodiment, the nonwoven webs are themselves thermally point bonded (consolidated) webs commercially available on supply rolls. The thermal point bonds, which are typically in the form of a regular pattern of spaced-apart diamond shaped bond sites, are present in the nonwoven as purchased from a nonwoven vendor, and are to be distinguished in the web of the present invention from the bond sites 50 formed by the method of the present invention.

The nonwoven web outer layer(s) may be elastic, highly elastic or nonelastic. The nonwoven web may be any melt-fusible web, including a spunbonded web, a meltblown web, or a bonded carded web. If the nonwoven web is a web of meltblown fibers, it may include meltblown microfibers. The nonwoven web may be made of fiber forming polymers such as, for example, polyolefins. Exemplary polyolefins include one or more of polypropylene, polyethylene, ethylene copolymers, propylene copolymers, and butene copolymers. The nonwoven web can have a basis weight between about 10 to about 60 grams per square meter (gsm), and more preferably about 15 to about 30 gsm.

The nonwoven web outer layers may themselves be a multilayer material having, for example, at least one layer of a spunbonded web joined to at least one layer of a meltblown web, a bonded carded web, or other suitable material. For example, the nonwoven web may be a multilayer web having a first layer of spunbonded polypropylene having a basis weight from about 0.2 to about 8 ounces per square yard, a layer of meltblown polypropylene having a basis weight from about 0.2 to about 4 ounces per square yard, and a second layer of spunbonded polypropylene having a basis weight from about 0.2 to about 8 ounces per square yard. Alternatively, the nonwoven web may be a single layer of material, such as, for example, a spunbonded web having a basis weight from about 0.2 to about 10 ounces per square yard or a meltblown web having a basis weight from about 0.2 to about 8 ounces per square yard.

The nonwoven web outer layers may also be a composite made up of a mixture of two or more different fibers or a mixture of fibers and particles. Such mixtures may be formed by adding fibers and/or particulates to the gas stream in which meltblown fibers or spunbond fibers are carried so that an intimate entangled co-mingling of fibers and other materials, e.g., wood pulp, staple fibers and particles occurs prior to collection of the fibers.

Prior to processing by the method of the present invention, the nonwoven web outer cover of fibers can be joined by bonding to form a coherent web structure. Suitable bonding techniques include, but are not limited to, chemical bonding, thermobonding, such as point calendering, hydroentangling, and needling.

Referring to FIGs. 9 and 10, the nonwoven thermal bond roller arrangement **108** preferably comprises a patterned calendar roller **110** and a smooth anvil roller **112**. One or both of the patterned calendar roller **110** and the smooth anvil roller **112** may be heated and the temperature of either roller and the pressure between the two rollers may be adjusted by well known means to provide the desired temperature, if any, and pressure to concurrently displace central layer **30** at melt bond sites, and melt bond the two outer layers together at a plurality of bond sites.

The patterned calendar roller **110** is configured to have a circular cylindrical surface **114**, and a plurality of protuberances or pattern elements **116** which extend outwardly from surface **114**. The protuberances **116** are disposed in a predetermined pattern with each protuberance **116** being configured and disposed to displace central layer **30** at melt bond sites, and melt bond the two outer layers together at a plurality of locations. One pattern of protuberances is shown schematically in FIG. 11. As shown, the protuberances **116** have a relatively small width, **WP**, which can be between about 0.003 inches and 0.020 inches, but in a preferred embodiment is about 0.010 inches. Protuberances can have a length, **LP**, of between about 0.030 inches and about 0.200 inches, and in a preferred embodiment has a length of about 0.100 inches. In a preferred embodiment, the protuberances have an aspect ratio (**LP/WP**) of 10. The pattern shown is a regular repeating pattern of staggered protuberances, generally in rows, each separated by a row spacing, **RS**, of about between about 0.010 inches and about 0.200 inches. In a preferred embodiment, row spacing **RS** is about 0.060 inches. The protuberances can be spaced apart within a row by a protuberance spacing, **PS** generally equal to the protuberance length, **LP**. But the spacing and pattern can be varied in any way depending on the end product desired.

As shown in FIG. 10, patterned calendar roller **110** can have a repeating pattern of protuberances **116** which extend about the entire circumference of surface **114**.



Alternatively, the protuberances 116 may extend around a portion, or portions of the circumference of surface 114. Likewise, the protuberances 116 may be in a non-repeating pattern, or in a repeating pattern of randomly oriented protuberances. Of course, if randomly oriented, the opening of the resulting bond sites into apertures will also be somewhat random, depending on the orientation of the bond site with respect to the direction of tension, as discussed below. For example, if the web is tensioned in the cross-direction (CD) direction only, then the bond sites 50 having a longitudinal axis 1 with a vector component in the machine direction (MD) will open into an aperture, at least to the degree of the magnitude of such a vector component.

The protuberances 116 are preferably truncated conical shapes which extend radially outwardly from surface 114 and which have rectangular or somewhat elliptical distal end surfaces 117. Although it is not intended to thereby limit the scope of the present invention to protuberances of only this configuration, it is currently believed that the high aspect ratio of the melt bond site 50 is only achievable if the protuberances likewise have a narrow width and a high aspect ratio at the distal end surfaces 117, as shown above with reference to FIG. 11. The roller 110 is preferably finished so that all of the end surfaces 117 lie in an imaginary right circular cylinder which is coaxial with respect to the axis of rotation of roller 110.

The height of the protuberances should be selected according to the thickness of the laminate being bonded. In general, the height dimension should be greater than the maximum thickness of the laminate web during the calendaring process, so that adequate bonding occurs at the bond sites, and only at the bond sites.

Anvil roller 112, is preferably a smooth surfaced, right circular cylinder of steel.

After passing through nip 106, the three (or more) component webs 120, 130, and 140 have been formed into unitary laminate web 10. At this point in the process the outer layers are thermally bonded to each other and unapertured, as shown in FIGs. 1 and 2. Central layer(s) 30, from web 130, is apertured, having been displaced by protuberances 116 in nip 106. Depending on the central layer(s) used, it (they) may or may not participate in the bonding about the periphery of the bond sites. In some instances, particularly for non-thermoplastic, non-fibrous materials, central layer may not be involved in the bonding of the outer layers at all. However, for thermoplastic materials, and fibrous materials, some involvement of the central layer(s) is observed.

The laminate web 10 may be further processed to form apertures in the whole laminate web (or portions thereof) by extending portions of the web in a direction orthogonal to the axis 1 of bond sites 50. As shown in FIGs. 9 and 10, the axis 1 is generally parallel to the machine direction MD of the web being processed. Therefore,

extension in the cross-direction CD at the bonded portions causes the bond sites 50 to rupture and open to form apertures in the web.

One method for forming apertures across the web is to pass the web through nip 130 formed by an incremental stretching system 132 employing opposed pressure applicators 134 and 136 having three-dimensional surfaces which at least to a degree are complementary to one another. Stretching of the laminate web may be accomplished by other methods known in the art, including tentoring, or even by hand. However, to achieve even strain levels across the web, and especially if localized strain differentials are desired, the incremental stretching system disclosed herein is preferred.

Referring now to FIG. 12, there is shown a fragmentary enlarged view of the incremental stretching system 132 comprising incremental stretching rollers 134 and 136. The incremental stretching roller 134 includes a plurality of teeth 160 and corresponding grooves 161 which extend about the entire circumference of roller 134. Incremental stretching roller 136 includes a plurality of teeth 162 and a plurality of corresponding grooves 163. The teeth 160 on roller 134 intermesh with or engage the grooves 163 on roller 136, while the teeth 162 on roller 136 intermesh with or engage the grooves 161 on roller 134. The teeth of each roller are generally triangular-shaped, as shown in FIG. 13. The apex of the teeth may be slightly rounded, if desired for certain effects in the finished web.

FIG. 13, shows a portion of the intermeshing of the teeth 160 and 162 of rollers 134 and 136, respectively. The term "pitch" as used herein, refers to the distance between the apexes of adjacent teeth. The pitch can be between about 0.02 to about 0.30 inches, and is preferably between about 0.05 and about 0.15 inches. The height (or depth) of the teeth is measured from the base of the tooth to the apex of the tooth, and is preferably equal for all teeth. The height of the teeth can be between about 0.10 inches and 0.90 inches, and is preferably about 0.25 inches and 0.50 inches.

The teeth 160 in one roll can be offset by one-half the pitch from the teeth 162 in the other roll, such that the teeth of one roll (e.g., teeth 160) mesh in the valley (e.g., valley 163) between teeth in the mating roll. The offset permits intermeshing of the two rollers when the rollers are "engaged" or in an intermeshing, operative position relative to one another. In a preferred embodiment, the teeth of the respective rollers are only partially intermeshing. The degree to which the teeth on the opposing rolls intermesh is referred to herein as the "depth of engagement" or "DOE" of the teeth. As shown in FIG. 13, the DOE, E, is the distance between a position designated by plane P1 where the apexes of the teeth on the respective rolls are in the same plane (0% engagement) to a position designated by plane P2 where the apexes of the teeth of one roll extend inward beyond

the plane **P1** toward the valley on the opposing roll. The optimum or effective DOE for particular laminate webs is dependent upon the height and the pitch of the teeth and the materials of the web.

In other embodiments the teeth of the mating rolls need not be aligned with the valleys of the opposing rolls. That is, the teeth may be out of phase with the valleys to some degree, ranging from slightly offset to greatly offset.

As the laminate web **10** having melt bonded locations **50** passes through the incremental stretching system **132** the laminate web **10** can be subjected to tensioning in the **CD** or cross-machine direction causing the laminate web **10** to be extended in the **CD** direction. Alternatively, or additionally, the laminate web **10** may be tensioned in the **MD** (machine direction). The tensioning force placed on the laminate web **10** can be adjusted (*e.g.*, by adjusting DOE) such that it causes the melt bonded locations **50** to separate or rupture creating a plurality of apertures **60** coincident with the melt bonded locations **50** in the laminate web **10**. However, portions of the melt bonds of the laminate web **10** remain, as indicated by portions **62** in FIG. 4, thereby maintaining the laminate web in a coherent, unitary web condition even after the melt bonded locations rupture.

After being subjected to the tensioning force applied by the incremental stretching system **132**, the laminate web **10** includes a plurality of apertures **60** which are coincident with the melt bonded regions **50** of the laminate web. As mentioned, a portion of the circumferential edges of apertures **60** include remnants **62** of the melt bonded locations **60**. It is believed that the remnants **60** help to resist further tearing or delamination of the laminate web. Remnants **62** may also contain portions of central layer **30**, to the extent that the central layer is involved in the bonding.

Instead of two substantially identical rolls **134** and **136**, one or both rolls can be modified to produce extension and additional patterning. For example, one or both rolls can be modified to have cut into the teeth several evenly-spaced thin channels **246** on the surface of the roll, as shown on roll **236** in FIG. 14. In FIG. 14 there is shown an enlarged view of an alternative incremental stretching system **232** comprising incremental stretching rollers **234** and **236**. The incremental stretching roller **234** includes a plurality of teeth **260** and corresponding grooves **261** which extend about the entire circumference of roller **234**. Incremental stretching roller **236** includes a plurality of teeth **262** and a plurality of corresponding grooves **263**. The teeth **260** on roller **234** intermesh with or engage the grooves **263** on roller **236**, while the teeth **262** on roller **236** intermesh with or engage the grooves **261** on roller **234**. The teeth on one or both rollers can have channels **246** formed, such as by machining, such that regions of undeformed laminate web material may remain after stretching. A suitable pattern roll is described in U.S. Patent

No. 5,518,801, issued May 21, 1996, in the name of Chappell, et al., the disclosure of which is incorporated herein by reference.

Likewise, the incremental stretching can be by mating rolls oriented as shown in FIG. 15. Such rolls comprise a series of ridges 360, 362, and valleys, 361, 363 that run parallel to the axis, A, of the roll, either 334 or 336, respectively. The ridges form a plurality of triangular-shaped teeth on the surface of the roll. Either or both rolls may also have a series of spaced-apart channels 346 that are oriented around the circumference of the cylindrical roll. Rolls as shown are effective in incrementally stretching a laminate web 10 in the machine direction, MD if the axis I of bond sites 50 is oriented generally parallel to the cross-machine, CD direction of the web as its being processed.

In one embodiment, the method of the present invention can comprise both CD and MD incremental stretching. As shown in FIG. 16, two pairs of incremental stretching rolls can be used in line, such that one pair (232, which, as shown in FIG. 16 includes a series of spaced-apart channels 246) performs CD stretching, and another pair, 332 performs MD stretching. By this method many interesting fabric-like textures can be made. The resulting hand and visual appearance make such fabric-like webs ideal for use in articles benefiting from a fabric-like look and feel. For example, if a central layer 30 comprises a material having less elongation to break than either outer layer, and is stretched to failure in both the CD and MD directions by the method described herein, the resulting laminate web 10 exhibits "islands" of central layer material. The islands are discrete, non-continuous portions of central layer, and give the laminate web 10 a decidedly fabric-like look and feel. In this manner, if a metal foil is used as a central layer 30 between two relatively translucent materials, such as low basis weight nonwovens, the resulting laminate web 10 resembles a sequined fabric.

The use of rather brittle, or relatively stiff materials can be used as a central layer 30 with beneficial results when the laminate web is incrementally stretched as described herein. For example, thin ceramic materials having a relatively high stiffness can be used as central layer 30 in a laminate web 10 that is relatively highly flexible in at least one direction, depending on the direction of stretch. Therefore, if the web is incrementally stretched in the CD direction, the laminate web will be flexible about an axis parallel with the MD direction, and vice-versa. If the web is incrementally stretched in both directions, then the resulting laminate web 10 will be relatively highly flexible about two axes, and, depending on the size of the discrete "islands" of central layer produced, approaches the overall flexibility of the two outer layers.

## EXAMPLES

The following examples are shown in Table 1 as exemplary of the claimed invention. Because the choice of outer and inner layers and combinations is virtually infinite, the examples shown are meant to be illustrative of possible structures, and are not meant to be limiting to any particular material or structure. In particular, the examples shown are limited to currently preferred structures comprising nonwoven webs as the outer layers.

In Table 1 various combinations of materials are shown. The layers are numbered in order of structural proximity from one outer layer to the other. Therefore, layer 1 is always an outer layer, and the last numbered layer is likewise an outer layer.

For all the samples shown, the calendaring line speed was 100 feet per minute, but the line speed is not considered critical to the operation of the method. The calendaring pressure was 700 psig for all the samples, but the pressure can be varied as desired as long as bonding is achieved between the outer layers.

To form apertured embodiments of the samples below, the thermally bonded laminate was processed by the incremental stretching process as described above with reference to FIG. 12. For these samples a "Pitch" and depth of engagement ("DOE") are shown.

Clopay PE films were obtained from Clopay, Cincinnati, OH. These thin (about 0.001" thick) films are a soft and deformable polyethylene type, often used as fluid barrier materials for absorbent products.

Tredegar elastomeric formed films were obtained from Tredegar Film Products, Terre Haute, IN. By "formed film" is meant a macroscopically-expanded three-dimensional plastic web comprising a continuum of capillary networks originating in and extending from one surface of the web and terminating in the form of apertures in the opposite surface thereof. Such a formed film is disclosed in commonly assigned U.S. Pat. No. 4,342,314 issued to Radel et al. on Aug. 3, 1982. Elastomeric formed films are an improvement in the aforementioned Radel et al. web as disclosed in the above-mentioned commonly assigned, copending US patent application S.N. 08/816,106 entitled Tear Resistant Porous Extensible Web, filed March 14, 1997 in the name of Curro et al. Curro '106 discloses elasticized polymeric webs generally in accordance with the aforementioned Radel et al. patent that may be produced from elastomeric materials known in the art, and may be laminates of polymeric materials. Laminates of this type can be prepared by coextrusion of elastomeric materials and less elastic skin layers and may be used in the body hugging portions of absorbent garments, such as the waistband portions and leg cuffs.

High internal phase emulsion open cell foam materials can be made generally in accordance with the teachings of the above mentioned U.S. Patents 5,260,345 and U.S. Patent 5,268,224.

BBA and Corovin/BBA nonwovens were obtained from BBA, Greenville, SC.

BOUNTY® paper towels were obtained from The Procter & Gamble Co., Cincinnati, OH.

REYNOLD'S metal foil products were obtained from Reynold's Metal Products company.

3M products were obtained from 3M, Minneapolis, MN.

For the materials shown below, the basis weight is expressed in grams per square meter (gsm). Low density polyethylene is denoted "LDPE"; polypropylene is denoted as "PP"; and polyethylene is denoted as "PE". Spunbond is denoted as "SB".

Table 1: Examples of Laminate Webs of the Present Invention

Exam- ple No.	Layer 1	Layer 2	Layer 3	Layer 4	Layer 5	Roller Temp. Anvil/ Pattern (deg. F)	Pitch/ DOE (inches)
1	30 gsm LDPE SB nonwoven from: Corovin/BBA	42 gsm BOUNTY® Paper Towel	30 gsm LDPE SB nonwoven from: Corovin/BBA			250/270	
2	30 gsm LDPE SB nonwoven from: Corovin/BBA	42 gsm BOUNTY® Paper Towel	42 gsm BOUNTY® Paper Towel	30 gsm LDPE SB nonwoven from Corovin/BBA		250/270	0.200/ 0.300
3	30 gsm LDPE SB nonwoven from: Corovin/BBA	42 gsm BOUNTY® Paper Towel	30 gsm LDPE SB nonwoven from Corovin/BBA			250/270	0.060/ 0.850
4	80/20 (PE / PP) 30 gsm SB nonwoven from BBA	23 gsm PE film from Clopay	50/50 (PE / PP) 30 gsm SB nonwoven from BBA			275/295	
5	80/20 (PE / PP) 30 gsm SB nonwoven from BBA	23 gsm PE film from: Clopay	50/50 (PE / PP) 30 gsm SB nonwoven from BBA			275/295	0.200/ 0.300
6	80/20 (PE / PP) 30 gsm SB nonwoven from BBA	42 gsm BOUNTY® Paper Towel	23 gsm PE film from Clopay	50/50 (PE / PP) 30 gsm SB nonwoven from BBA		275/295	
7	80/20 (PE / PP) 30 gsm SB nonwoven from BBA	42 gsm BOUNTY® Paper Towel	23 gsm PE film from Clopay	50/50 (PE / PP) 30 gsm SB nonwoven from BBA		275/295	0.200/ 0.300
8	30 gsm LDPE SB nonwoven from Corovin/BBA	M77 spray adhesive from 3M approx. 13 gsm	REYNOLDS ® 65 gsm aluminum foil	M77 spray adhesive from 3M approx. 13 gsm	30 gsm LDPE SB nonwoven from Corovin/BBA	275/295	0.060/ 0.850
9	30 gsm LDPE SB nonwoven from Corovin/BBA	88 gsm elastomeric formed film from Tredegar	42 gsm BOUNTY® Paper Towel	30 gsm LDPE SB nonwoven from Corovin/BBA		250/270	0.200/ 0.300

<b>10</b>	30 gsm LDPE SB nonwoven from Corovin/BBA	Spray hot melt adhesive from Ato-Findley approx. 12 gsm	62 gsm High Internal Phase Emulsion open cell foam	Spray hot melt adhesive from Ato-Findley approx. 12 gsm	30 gsm LDPE SB nonwoven from Corovin/BBA	250/270	0.200/0.300
<b>11</b>	27 gsm high elongation carded PP nonwoven from BBA	42 gsm BOUNTY® Paper Towel	60 gsm laminate of 80/20 50/50 (PE / PP) nonwoven from BBA			295/350	0.060/0.110

The laminate webs of the present invention may be utilized in many varied applications. For example, the relatively low cost of nonwoven, paper and film materials makes the laminates ideally suited for disposable articles. The articles discussed herein are exemplary of the useful applications for which the laminate of the present invention can be used.

FIG. 17 shows an exemplary embodiment of a disposable diaper **420** in a flat configuration (with all elastic induced contraction removed) with portions of the structure being cut-away to more clearly show the construction. The portion of the diaper which contacts the wearer faces the viewer. The diaper is preferably comprises a liquid pervious topsheet **438**; a liquid impervious backsheet **440** joined with the topsheet **438**; an absorbent core **442** (shown as an apertured laminate of the present invention) positioned between the topsheet **338** and the backsheet **340**; elastic members **344**; and tape tab (or mechanical) fasteners **446**. The components can be assembled in a variety of well known configurations.

Liquid pervious topsheet **438** could be made of a laminate web like Example 4 (unapertured) or Example 5 (apertured) as shown in Table 1. Backsheet **440** could be made of a laminate webs like Example 4, and absorbent core **442** could be made of a laminate like that of Example 10. Side panels, elastic leg cuffs, and an elastic waist feature can be made of a laminate web like Example 9. Such a laminate exhibits breathability and elasticity, both important in absorbent diapers.

A preferred diaper configuration for a diaper comprising laminates of the present invention is described generally in U.S. Pat. No. 3,860,003, issued January 14, 1975 to Buell. Alternatively preferred configurations for disposable diapers are also disclosed in U.S. Pat. Nos. 4,808,178 (Aziz et al.); 4,695,278 (Lawson); 4,816,025 (Foreman); 5,151,092 (Buell et al.), all of which are hereby incorporated herein by reference.

In addition to disposable diapers, various embodiments of laminates of the present invention are useful for topsheets, backsheets, and cores in other disposable absorbent articles, such as catamenials, panty liners, pull-up diapers, adult incontinence products, and the like.

Laminates of the present invention can also be useful as wipes, including wet wipes, shop wipes, facial wipes, and the like. For example, Example 3 having an absorbent cellulosic layer as central layer 30 would be an excellent wipe for picking up spills and particulate matter that can be captured in the apertures. Likewise, Example 6, having a polyethylene film would be an excellent wipe for harsh jobs requiring a more durable wipe having extra scrubbing capability. A laminate of the present invention can be considered a durable or semi-durable rag or sponge for most purposes.

Because of the virtually infinite variety of patterns achievable by the method of the present invention, laminates of the present invention can find use as components in home furnishings, including drapes and upholstery. For example, very lacy, sheer patterns can be made that are attractive as window coverings. The colors can be varied easily by varying the component materials, including central layer 30. Higher basis weight materials can be made durable for seat coverings, particularly disposable seat coverings useful in airplanes, buses, and the like.

Laminates of the present invention can be useful as disposable bibs. Example 6 in Table 1, for example, having a polyethylene layer would serve as an effective bib. Even apertured versions, depending on the size of the apertures can be useful as bibs, as the apertures tend to capture food particles better. After use as a bib the bib can be used as a wipe to clean up the baby's surroundings after eating.

Metal-containing webs of the present invention can be used in electrical applications. For example, Example 8 in Table 1 can be used in applications requiring electrical shielding having a soft, compliant carrier material. A laminate similar to Example 8 may find use as a component in circuit boards, electrical cabling, and the like.

A laminate web of the present invention can find use as a filter for filtering fluids. Air, for example, can be filtered in passing air through a suitably designed laminate web of the present invention. For example, electrostatic air filters can be made by laminating appropriate dissimilar polymeric nonwoven materials. In one embodiment the filter would comprise nonwoven materials of suitable material and pore size, and would be provided in an unstretched condition, that is, in a laminate such as that shown with respect to FIGs. 1 and 2. As the filter is used, and the pores become blocked with filtered debris, the tension placed on the filter media thereby would cause at least some of the bond sites 50 to open into apertures. Thus, the filter comprises a self adjusting media that prevents complete blockage of the filter, and avoids overworking of blower motors and the like.

Other uses for laminates of the present invention include medical dressings, textured wall coverings, mats and throws, mop heads for dry or wet mops, and geo-textiles.



While particular embodiments of the present invention have been illustrated and described, it would be obvious to those skilled in the art that various other changes and modifications can be made without departing from the spirit and scope of the invention. It is therefore intended to cover in the appended claims all such changes and modifications that are within the scope of this invention.

What is claimed is:

1. A non-apertured laminate web comprising:
  - a) a first web;
  - b) a second web joined to said first web in a face to face relationship at a plurality of discrete bond sites, the first and second webs forming an interior region therebetween;
  - c) a third material being disposed between said first and second webs, said third material being differentiated from said first or second web by at least one material property selected from thermal properties, elongation properties, elastic properties, or conductive properties; and
  - d) said third material being apertured in regions coincident said bond sites, such that said first and second webs are joined through said apertures and wherein said third material is involved in said discrete bond sites and substantially fills said interior region.
2. The laminate web of Claim 1, wherein said laminate is joined by bonds in the absence of adhesive.
3. The laminate web of Claim 1, wherein said bond sites are discrete thermal bonds having an aspect ratio of at least 3:1.
4. The laminate web of Claim 1, wherein said bond sites are discrete thermal bonds having an aspect ratio of at least 10:1.
5. The laminate web of Claim 1, wherein said first or second web comprises a nonwoven..
6. The laminate web of Claim 1, wherein said third material comprises cellulosic tissue paper.
7. The laminate web of Claim 1, wherein said third material comprises metal foil.
8. The laminate web of Claim 1, wherein said third material is a polymeric film.
9. The laminate web of Claim 1, wherein said third material is open cell foam.

10. A laminate web having a plurality of apertures, said laminate web comprising:
  - a) a first extensible web having a first elongation to break;
  - b) a second extensible web joined to said first extensible web at a plurality of bond sites, said second extensible web having a second elongation to break;  
and
  - c) a third web material being disposed between said first and second webs, said third web material having a third elongation to break which is less than both of said first or second elongations to break.
11. The laminate web of Claim 10, wherein said laminate is joined by bonds in the absence of adhesive.
12. The laminate web of Claim 10, wherein said bond sites are discrete thermal bonds having an aspect ratio of at least 3:1.
13. The laminate web of Claim 10, wherein said bond sites are discrete thermal bonds having an aspect ratio of at least 10:1.
14. The laminate web of Claim 10, wherein said first or second extensible web comprises a nonwoven.
15. The laminate web of Claim 10, wherein said third web material comprises cellulosic tissue paper.
16. The laminate web of Claim 10, wherein said third web material is conductive.
17. The laminate web of Claim 10, wherein said third web material comprises metal foil.
18. The laminate web of Claim 10, wherein said third web material is an open cell foam.
19. A laminate web having a plurality of apertures, said laminate web comprising:
  - a) first and second extensible webs being joined at a plurality of discrete bond sites;
  - b) a third material disposed between said first and second nonwoven webs; and

- c) the first and second extensible webs being in fluid communication via the apertures and having distinct regions being differentiated by at least one property selected from the group consisting of basis weight, fiber orientation, thickness, and density.
- 20. The laminate web of Claim 19, wherein said laminate is joined by bonds in the absence of adhesive.
  - 21. The laminate web of Claim 19, wherein said bond sites are discrete thermal bonds having an aspect ratio of at least 3:1.
  - 22. The laminate web of Claim 19, wherein said bond sites are discrete thermal bonds having an aspect ratio of at least 10:1.
  - 23. The laminate web of Claim 19, wherein said first or second extensible web comprises a nonwoven.
  - 24. The laminate web of Claim 19, wherein said third material comprises cellulosic tissue paper.
  - 25. The laminate web of Claim 19, wherein said third material comprises metal foil.
  - 26. The laminate web of Claim 19, wherein said third material is a polymeric film.
  - 27. The laminate web of Claim 19, wherein said third material is an open cell foam.
  - 28. A disposable absorbent article comprising a laminate web having a plurality of apertures, said laminate web comprising:
    - a) first and second extensible webs being joined at a plurality of discrete bond sites;
    - b) a third material disposed between said first and second nonwoven webs; and
    - c) said first and second extensible webs being in fluid communication via the apertures and having distinct regions being differentiated by at least one property selected from the group consisting of basis weight, fiber orientation, thickness, and density.

29. The laminate web of Claim 28, wherein said first or second extensible web comprises a nonwoven.
30. The laminate web of Claim 28, wherein said third material comprises absorbent gelling material.
31. A method for forming a laminate web comprising the steps of:
  - (a) providing first and second web materials comprising thermoplastic material;
  - (b) providing at least one third web material;
  - (c) providing a thermal point bonder having a plurality of protuberances;
  - (d) guiding said third web material between said first and second web materials in a face-to-face layered relationship to said thermal point bonder;
  - (e) displacing said third web material with said protuberances at discrete, spaced apart locations to form apertures in said third material; and
  - (f) thermally point bonding said first and second outer web materials to form bond sites at discrete, spaced apart locations coincident with said protuberances, thereby forming a bonded laminate.
32. The method of Claim 31, wherein said third web material is provided in an unapertured condition.
33. The method of Claim 31, wherein said third web material is involved in said thermal point bonding about a perimeter of a said bond sites.
34. A method for forming an apertured laminate web comprising the steps of:
  - (a) providing first and second web materials comprising thermoplastic material;
  - (b) providing at least one third web material;
  - (c) providing a thermal point bonder having a plurality of protuberances;
  - (d) providing a stretching means;
  - (e) guiding said third web material between said first and second web materials in a face-to-face layered relationship to said thermal point bonder;
  - (f) displacing said third web material with said protuberances at discrete, spaced apart locations to form apertures in said third material;
  - (g) thermally point bonding said first and second outer web materials at discrete, spaced apart locations corresponding to said protuberances, thereby forming a bonded laminate; and

- (g) stretching said bonded laminate to form the apertured laminate web.
35. The method of Claim 34, wherein said first and second web materials comprise nonwoven fibers.
36. The method of Claim 34, wherein said third web material has an elongation to break which is less than both of said first or second web materials.
37. The method of Claim 34, wherein said third web material has an elongation to break which is greater than both of said first or second web materials.
38. The method of Claim 34, wherein said thermal point bonder comprises a patterned calendar roller.
39. The method of Claim 34, wherein said stretching means comprises incremental stretching.
40. The method of Claim 34, wherein said protuberances of said thermal point bonder have an aspect ratio of between about 3 and 20.
41. The method of Claim 34, wherein said protuberances of said thermal point bonder have an aspect ratio of 10.

1/11

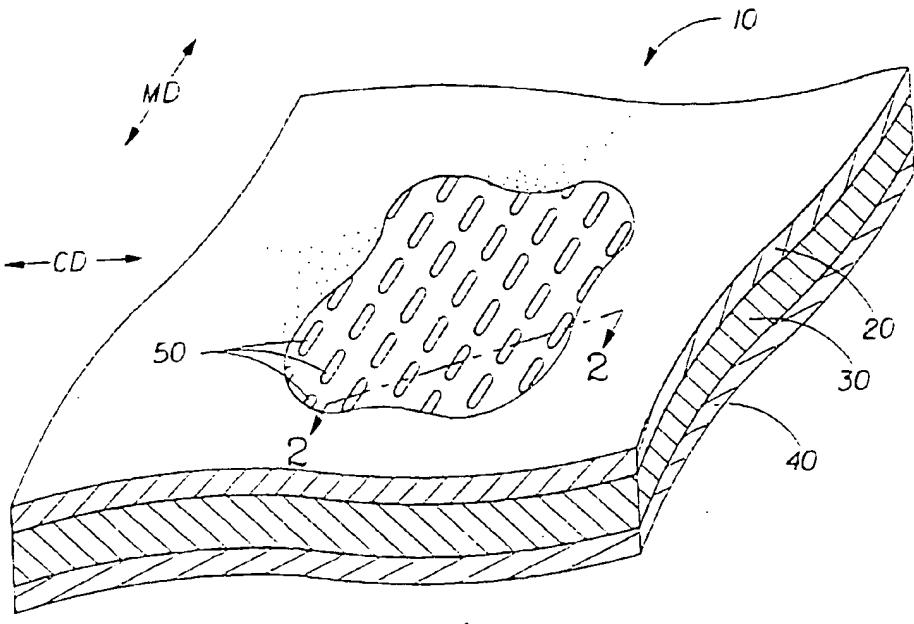


Fig. 1

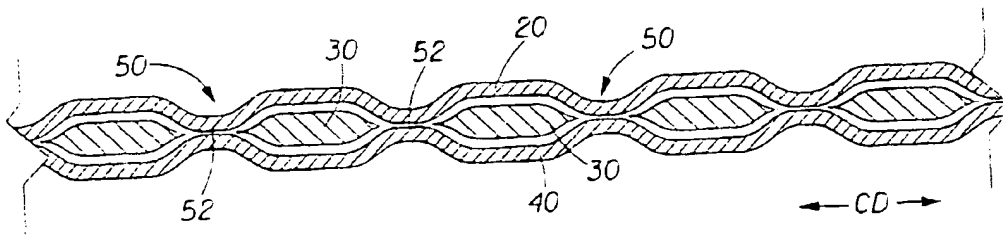


Fig. 2

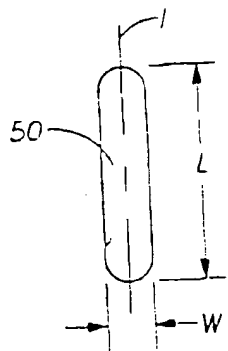


Fig. 3

2/11

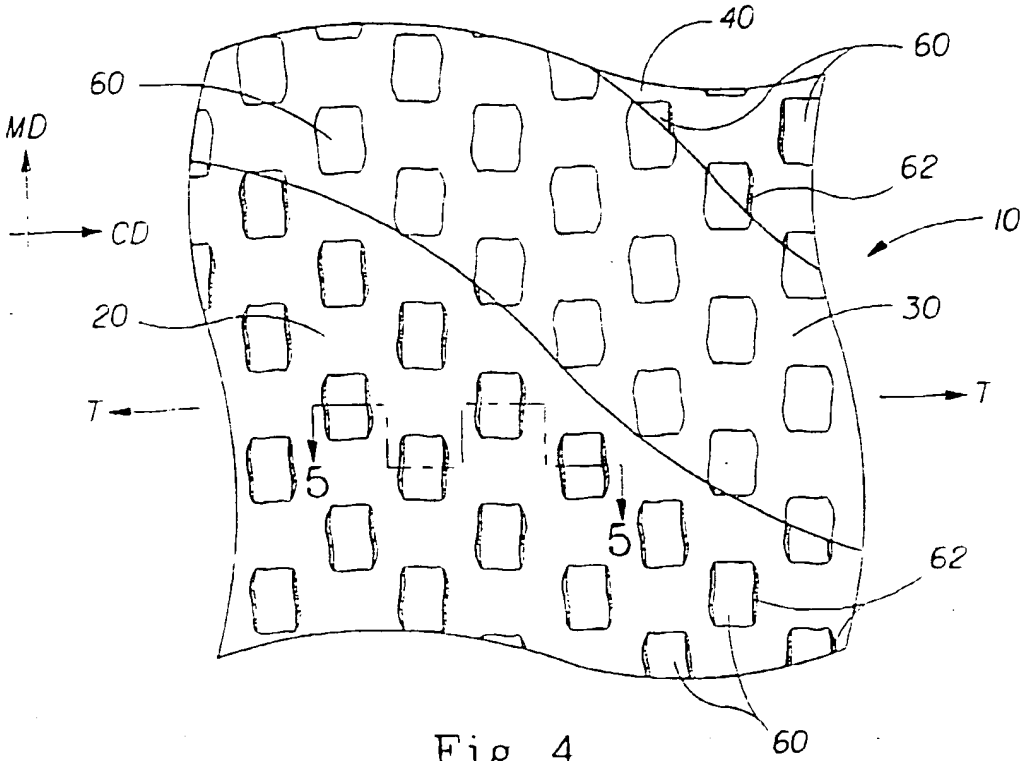


Fig. 4

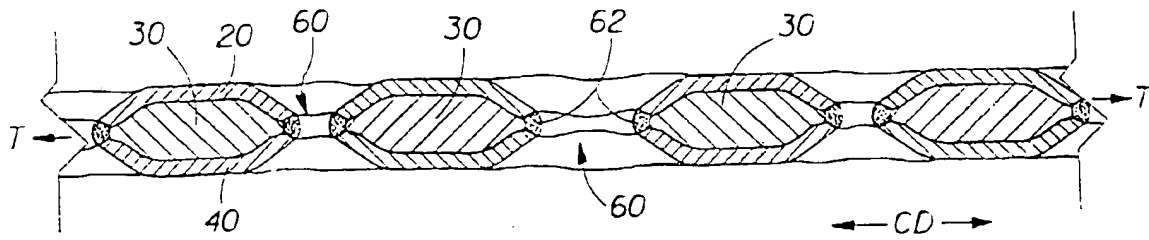


Fig. 5



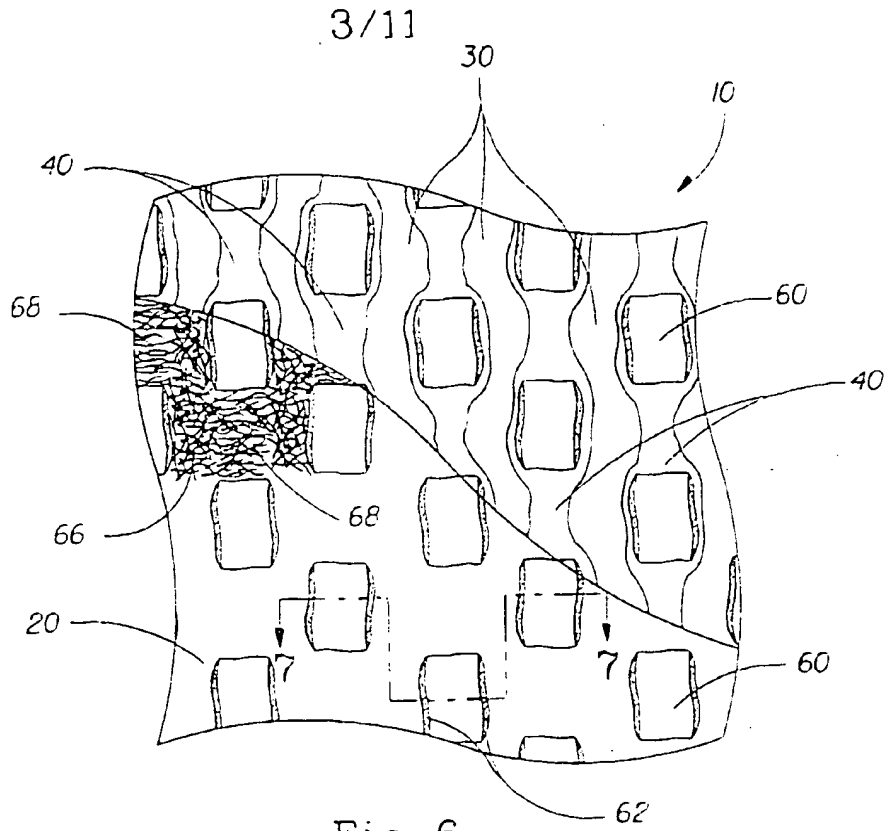


Fig. 6

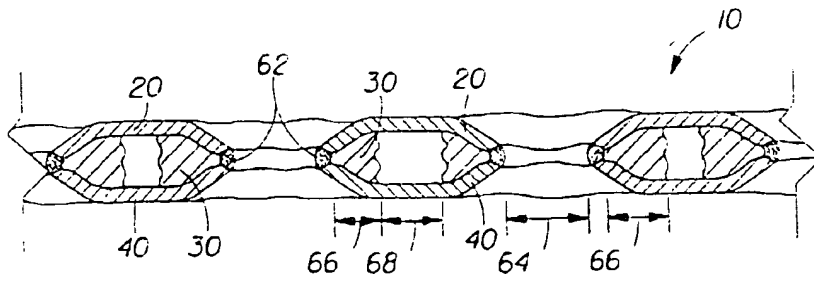


Fig. 7

4/11

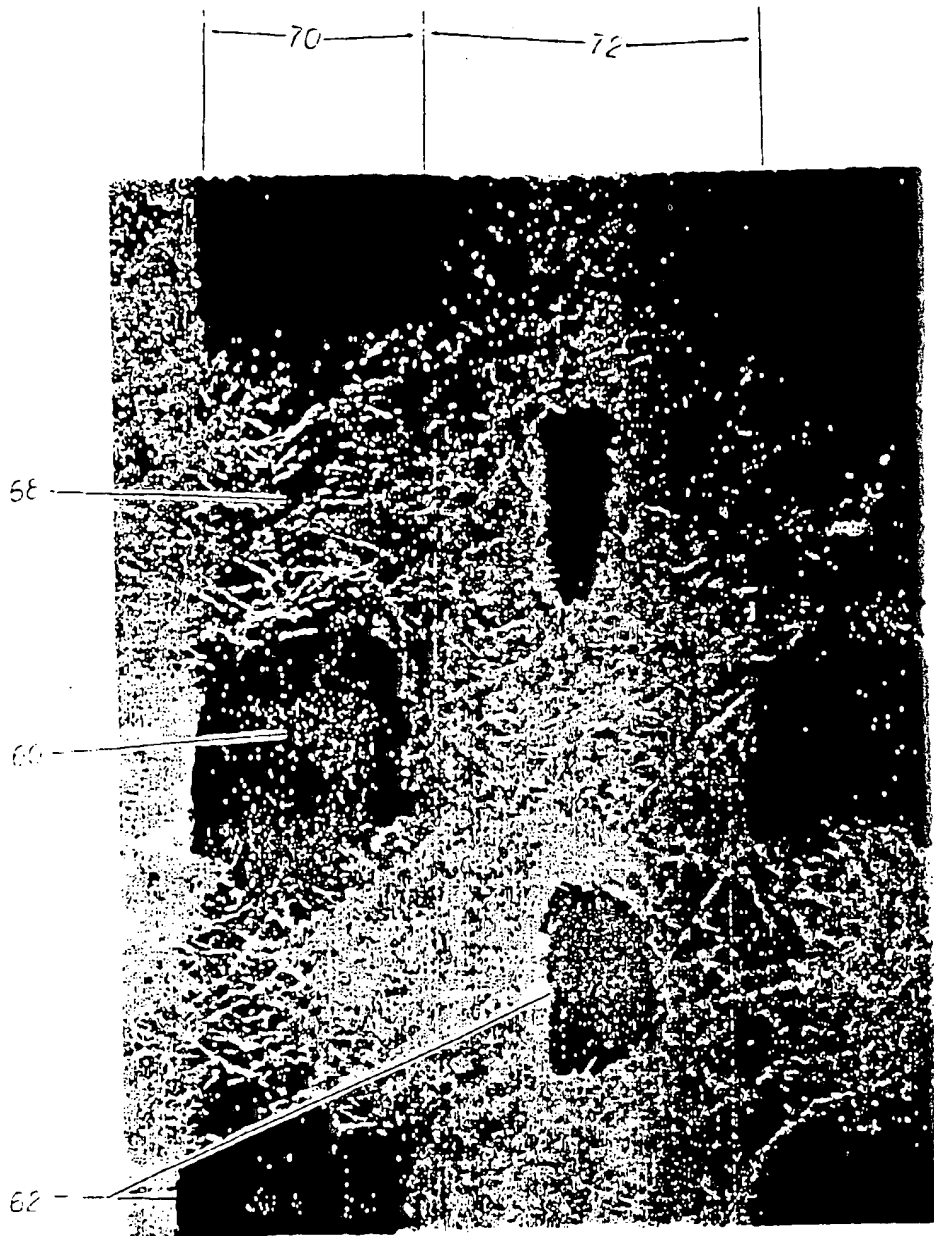


Fig. 8

5/11

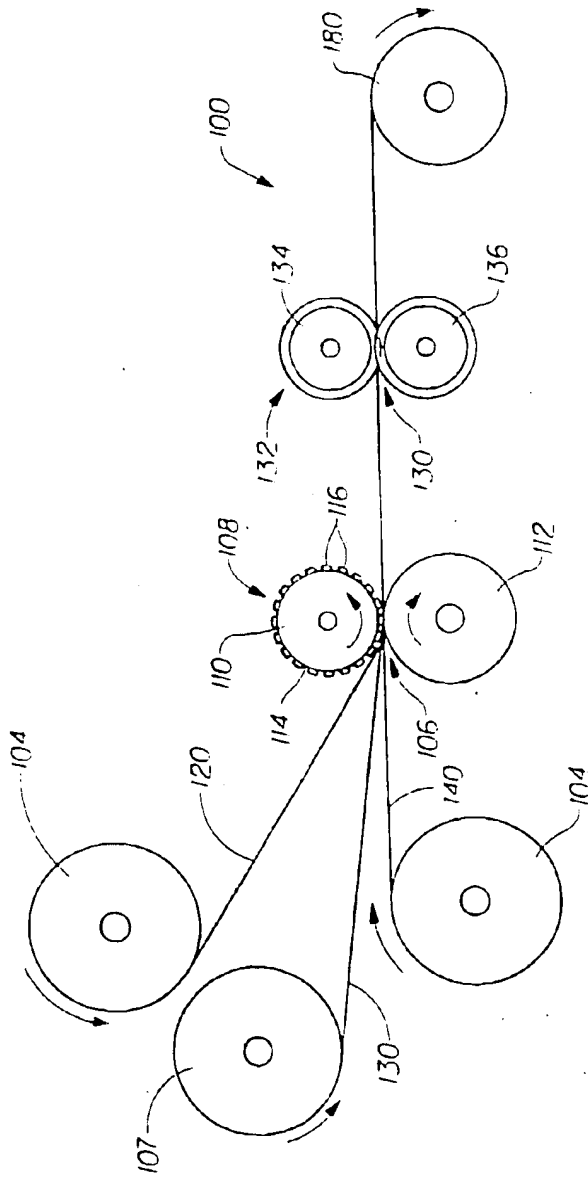


Fig. 9

6/11

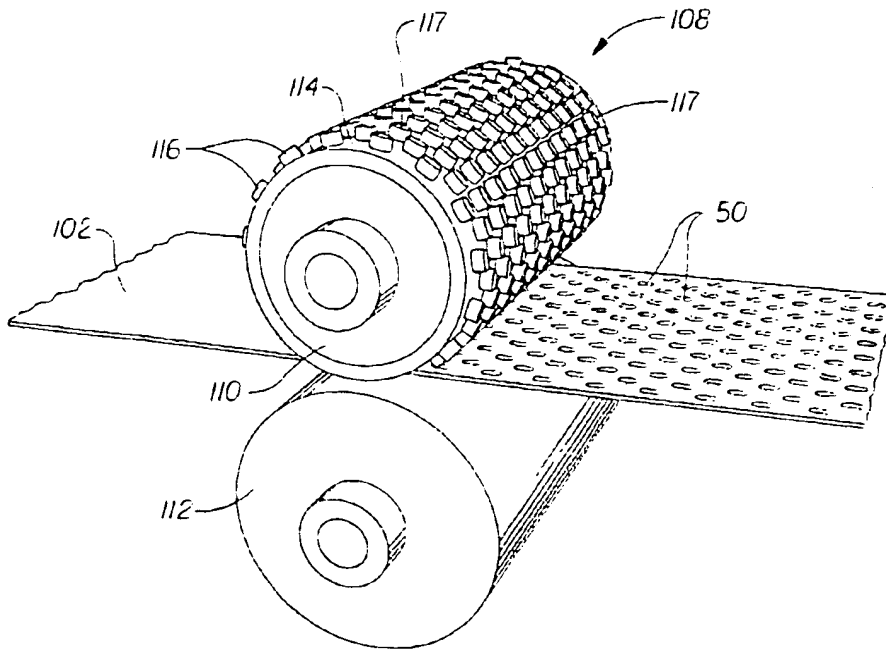


Fig. 10

7/11

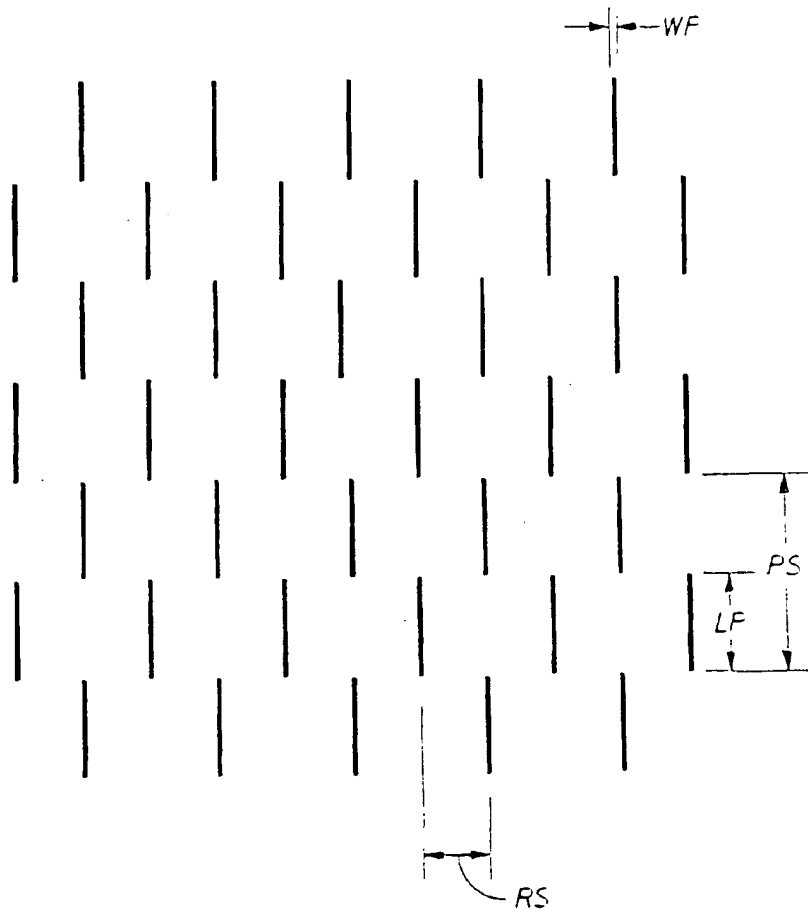


Fig. 11

8/10

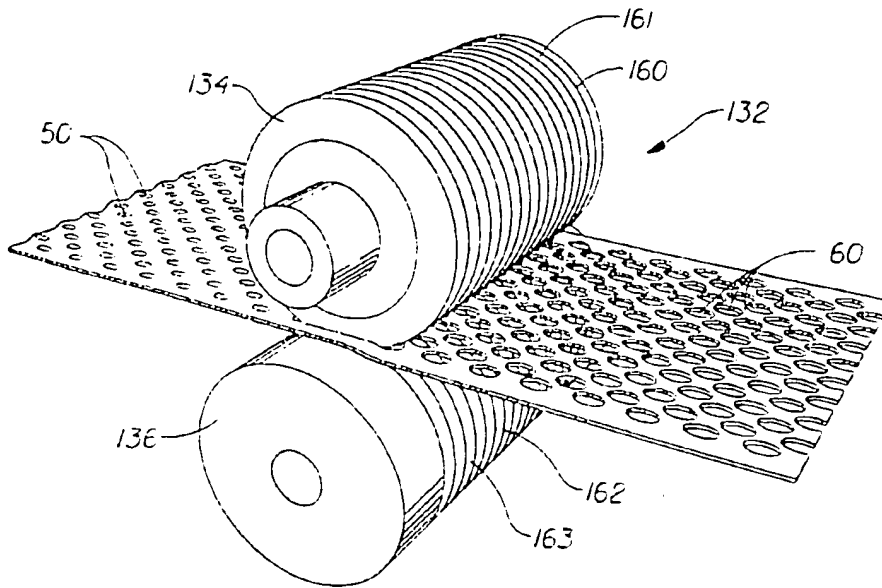


Fig. 12

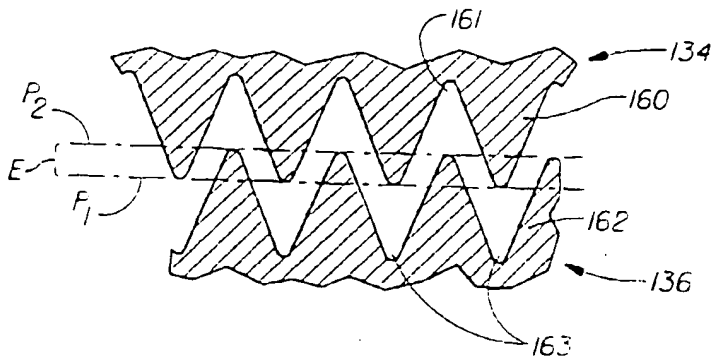


Fig. 13

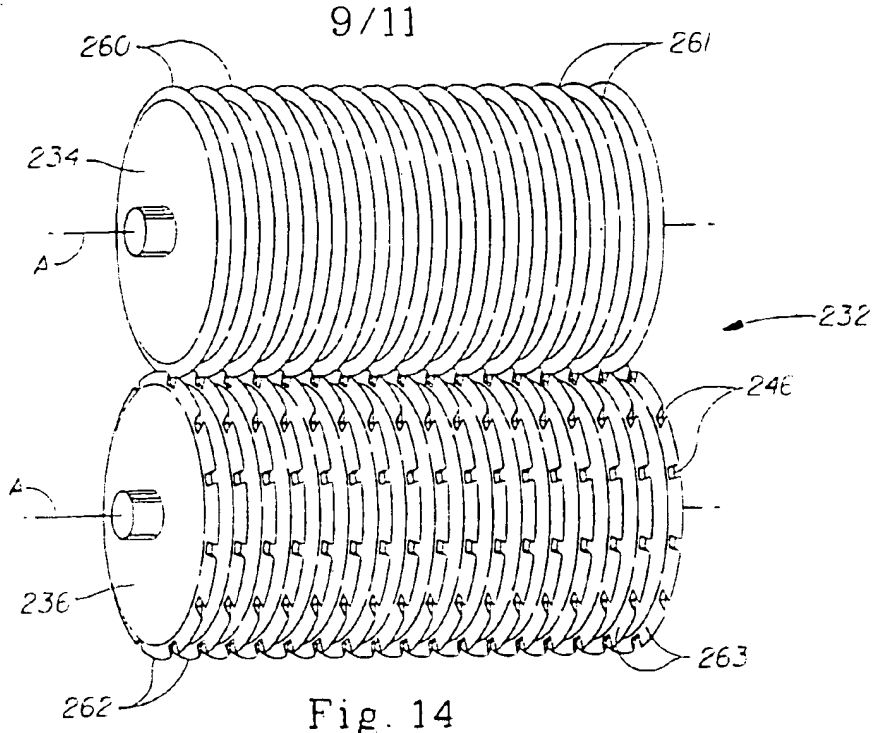


Fig. 14

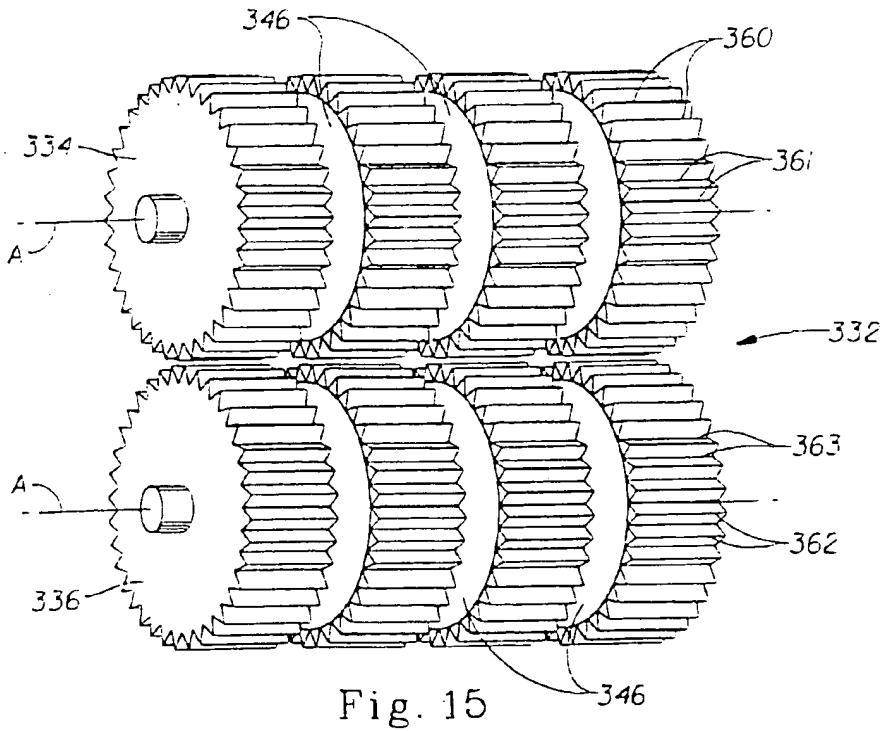


Fig. 15

10/11

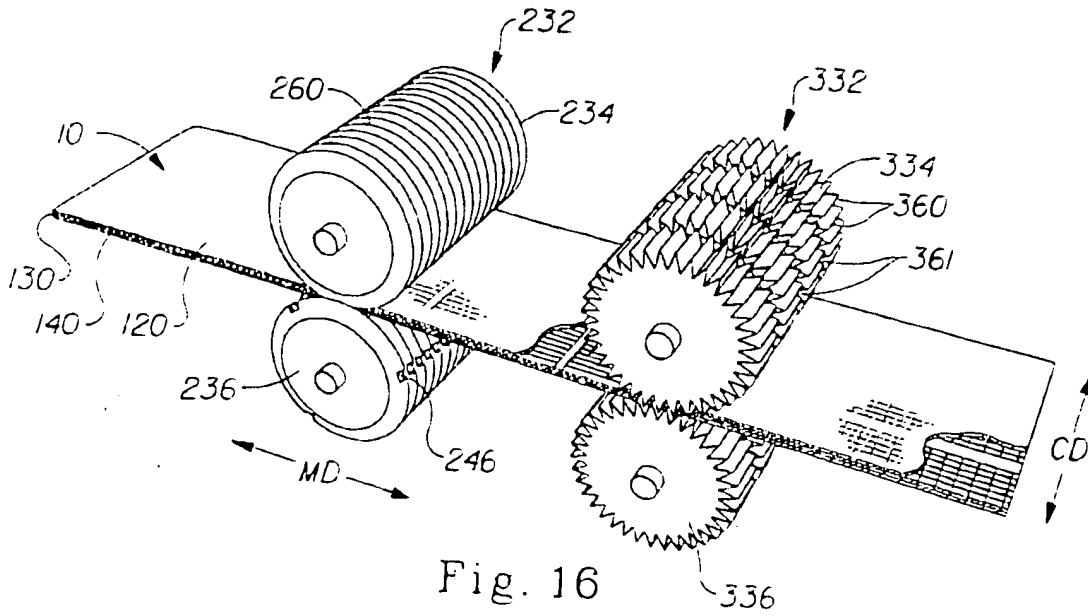


Fig. 16

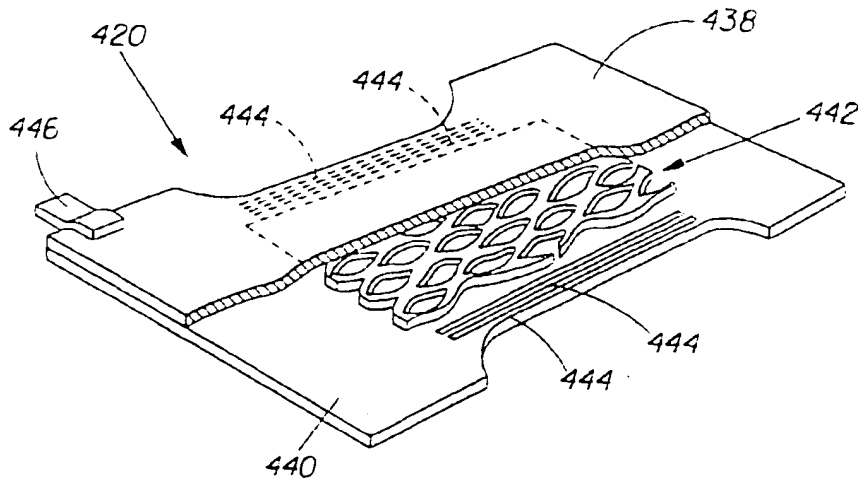


Fig. 17



11/11

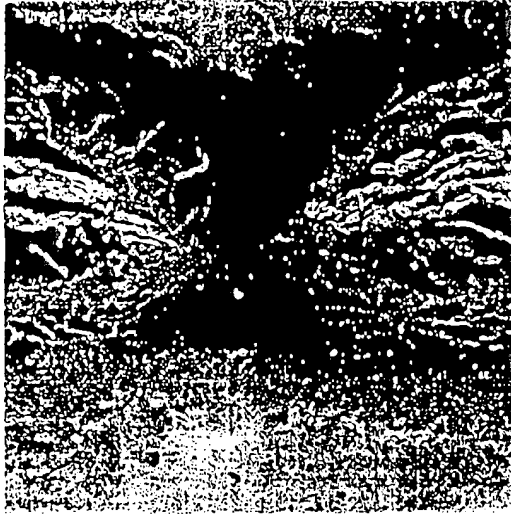


Fig. 18A

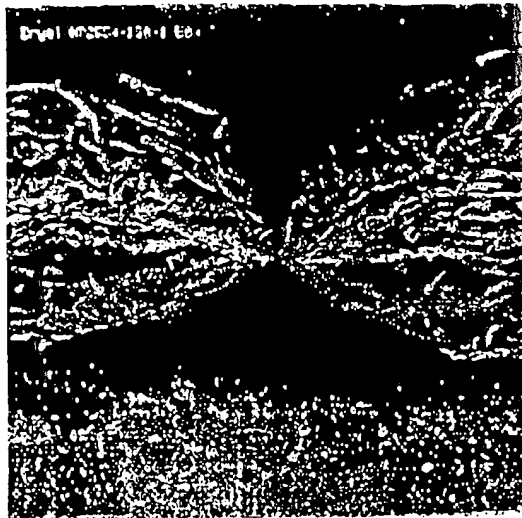


Fig. 18B

# INTERNATIONAL SEARCH REPORT

International Application No.  
PCT/US 00/34746

<b>A. CLASSIFICATION OF SUBJECT MATTER</b> IPC 7    A61F13/15    A61F5/48    A47L13/16    B26F1/08    B32B3/24 B32B5/04    B32B7/02    B32B27/06    B32B31/20		
According to International Patent Classification (IPC) or to both national classification and IPC		
<b>B. FIELDS SEARCHED</b> Minimum documentation searched (classification system followed by classification symbols) IPC 7    A61F    B32B    B26F		
Documentation searched other than minimum documentation to the extent that such documents are included in the fields searched		
Electronic data base consulted during the international search (name of data base and, where practical, search terms used) EPO-Internal		
<b>C. DOCUMENTS CONSIDERED TO BE RELEVANT</b>		
Category	Citation of document, with indication, where appropriate, of the relevant passages	Relevant to claim No.
X	EP 0 758 543 A (UNI CHARM CORP) 19 February 1997 (1997-02-19) claims 1-4; figures 1-3 ---	1,2
E	WO 00 76430 A (GOYARTS B V ;GOYARTS GREGORIUS MARIA HUBERT (NL)) 21 December 2000 (2000-12-21) page 8, line 30 -page 9, line 4 claims 1,2; figures 5,6 ---	10,11
X	US 4 797 310 A (BARBY DONALD ET AL) 10 January 1989 (1989-01-10) column 1, line 5 - line 14 column 8, line 22 - line 63 column 14, line 3 - line 14; figure 2; examples 34.35,50-52 --- -/--	10,11
<input checked="" type="checkbox"/> Further documents are listed in the continuation of box C.		
<input checked="" type="checkbox"/> Patent family members are listed in annex.		
* Special categories of cited documents :		
*A* document defining the general state of the art which is not considered to be of particular relevance. *E* earlier document but published on or after the international filing date. *L* document which may throw doubts on priority claim(s) or which is cited to establish the publication date of another citation or other special reason (as specified). *C* document referring to an oral disclosure, use, exhibition or other means. *P* document published prior to the international filing date but later than the priority date claimed.		
** later document published after the international filing date or priority date and not in conflict with the application but cited to understand the principle or theory underlying the invention. *X* document of particular relevance: the claimed invention cannot be considered novel or cannot be considered to involve an inventive step when the document is taken alone. *Y* document of particular relevance: the claimed invention cannot be considered to involve an inventive step when the document is combined with one or more other such documents, such combination being obvious to a person skilled in the art. *B* document member of the same patent family.		
Date of the actual completion of the international search	Date of mailing of the international search report	
29 March 2001	06/04/2001	
Name and mailing address of the ISA European Patent Office, P.B. 5818 Patentlaan 2 NL - 2280 HV Rijswijk Tel. (+31-70) 340-2040, Tx. 31 651 epo nl Fax: (+31-70) 340-3011	Authorized officer  Lindner, I	

Form PCT/ISA/210 (is-continued sheet) (July 1999)

INTERNATIONAL SEARCH REPORT

International Application No

PCT/US 00/34746

C.(Continuation) DOCUMENTS CONSIDERED TO BE RELEVANT		
Category *	Citation of document, with indication, where appropriate, of the relevant passages.	Relevant to claim No.
X	<p>WO 99 37476 A (PROCTER &amp; GAMBLE) 29 July 1999 (1999-07-29)</p> <p>page 5, line 1 -page 6, line 28 page 10, line 20 - line 25 page 11, line 10 - line 17 page 14, line 1 - line 15 page 21, line 15 - line 20</p> <p>---</p>	<p>10,19, 23,26, 28,29</p>
A	<p>US 4 603 069 A (HAO ZHA ET AL) 29 July 1986 (1986-07-29)</p> <p>column 1, line 6 - line 17 column 2, line 39 - line 51 column 3, line 57 - line 61 column 5, line 17 - line 53 claims 1,2,4,8</p> <p>---</p>	<p>10-15, 18-24, 27,28</p>
A	<p>US 3 927 673 A (TAYLOR GLENN N) 23 December 1975 (1975-12-23)</p> <p>claims 1-7,12-18; figures 2,4</p>	<p>10-15, 19-24, 28,29</p>
A	<p>column 3, line 41 - line 45 column 4, line 57 - line 65</p> <p>---</p>	<p>18,27</p>
X	<p>US 5 851 935 A (SRINIVASAN RAMESH ET AL) 22 December 1998 (1998-12-22)</p> <p>column 2, line 28 -column 3, line 37; claim 1; figure 1E</p> <p>---</p>	<p>1,2,5, 31,32</p>
X	<p>EP 0 687 757 A (INT PAPER CO) 20 December 1995 (1995-12-20)</p> <p>claims 1-23; figures 1A-1D,2</p> <p>---</p>	<p>19,20, 23,31-33</p>
X	<p>US 3 695 967 A (ROSS STANLEY E) 3 October 1972 (1972-10-03)</p> <p>column 3, line 19 - line 72; claim 1</p> <p>---</p>	<p>31,32</p>
A	<p>US 5 628 097 A (CURRO JOHN J ET AL) 13 May 1997 (1997-05-13)</p> <p>claims 1-18; figures 1-6</p> <p>-----</p>	<p>34,38-40</p>

1

# INTERNATIONAL SEARCH REPORT

Information on patent family members

International Application No

PCT/US 00/34746

Patent document cited in search report	Publication date	Patent family member(s)	Publication date
EP 0758543 A	19-02-1997	JP 9051913 A	25-02-1997
		AU 723448 E	24-08-2000
		AU 6085296 A	20-02-1997
		CA 2182634 A	16-02-1997
		KR 158549 E	15-12-1998
		US 5846231 A	08-12-1998
WO 0076430 A	21-12-2000	NL 1012368 C	19-12-2000
US 4797310 A	10-01-1989	AT 17442 T	15-02-1986
		AU 554469 B	21-08-1986
		AU 8511682 A	13-01-1983
		BR 8203734 A	21-06-1983
		CA 1196620 A	12-11-1985
		DE 3268527 D	27-02-1986
		DK 287882 A, B,	27-12-1982
		EP 0068830 A	05-01-1983
		ES 276075 U	01-04-1984
		GR 77207 A	11-09-1984
		JP 1638061 C	31-01-1992
		JP 2055044 E	26-11-1990
		JP 58013638 A	26-01-1983
		NO 822123 A, B,	27-12-1982
		NZ 201037 A	11-04-1986
		PH 22138 A	01-06-1988
		PT 75126 A, B	01-07-1982
		ZA 8204501 A	25-01-1984
WO 9937476 A	29-07-1999	AU 1887099 A	09-08-1999
		EP 1045758 A	25-10-2000
US 4603069 A	29-07-1986	AU 550659 E	27-03-1986
		AU 2162783 A	31-05-1984
		BR 8306445 A	26-06-1984
		EP 0112654 A	04-07-1984
		ES 275950 U	16-03-1984
		GB 2130965 A, B	13-06-1984
		GR 81291 A	11-12-1984
		JP 1026286 E	23-05-1989
		JP 1541348 C	31-01-1990
		JP 59108533 A	23-06-1984
		NO 834336 A	28-05-1984
		NZ 206331 A	09-05-1986
		PT 77746 A, B	01-12-1983
ZA 8308712 A	31-07-1985		
US 3927673 A	23-12-1975	AT 352044 E	27-08-1979
		AT 623875 A	15-02-1979
		AU 497380 E	14-12-1978
		AU 8333075 A	27-01-1977
		BE 832344 A	01-12-1975
		BR 7504866 A	03-08-1976
		CA 1029902 A	25-04-1978
		CH 587619 A	13-05-1977
		DE 2535058 A	26-02-1976
		DK 363075 A, B,	13-02-1976
		ES 226062 Y	01-12-1977
		ES 227814 Y	16-12-1977

Form PCT/ISA/210 (parent family annex) (Jun 1992)

# INTERNATIONAL SEARCH REPORT

Information on patent family members

International Application No.

PCT/US 00/34746

Patent document cited in search report	Publication date	Patent family member(s)	Publication date
US 3927673 A		FR 2330339 A	03-06-1977
		GB 1509229 A	04-05-1978
		IE 41647 B	27-02-1980
		IT 1041061 B	10-01-1980
		JF 1324699 C	27-06-1986
		JF 51044055 A	15-04-1976
		JF 60042281 B	21-09-1985
		MX 144519 A	23-10-1981
		NL 7509514 A, E	16-02-1976
		PH 11726 A	30-05-1978
		SE 400699 B	10-04-1978
		SF 7508269 A	13-02-1976
		ZA 7504668 A	23-02-1977
US 5851935 A	22-12-1998	AU 4238497 A	19-03-1998
		EP 0921941 A	16-06-1999
		WO 9808678 A	05-03-1998
		US 6025050 A	15-02-2000
EP 0687757 A	20-12-1995	US 5567501 A	22-10-1996
		CA 2151194 A	16-12-1995
		JF 2813156 B	22-10-1998
		JF 8060511 A	05-03-1996
		US 6025050 A	15-02-2000
		US 5656119 A	12-08-1997
US 3695967 A	03-10-1972	AU 476410 E	23-09-1976
		AU 3695771 A	21-06-1973
		BE 776279 A	04-04-1972
		CA 956222 A	15-10-1974
		CH 582577 B	15-12-1976
		CH 1838571 A	30-04-1976
		DE 2162542 A	29-06-1972
		ES 397979 A	16-04-1975
		FR 2118044 A	28-07-1972
		GB 1367476 A	18-09-1974
		IE 35867 B	09-06-1976
		IL 38280 A	22-10-1974
		IT 941619 B	10-03-1973
		NL 7117273 A	20-06-1972
		SE 391671 B	28-02-1977
ZA 7108114 A	30-08-1972		
US 5628097 A	13-05-1997	AU 7019096 A	17-04-1997
		BR 9610999 A	13-07-1999
		CA 2233236 A	03-04-1997
		CN 1202100 A	16-12-1998
		EP 0852483 A	15-07-1998
		JF 11504993 I	11-05-1999
		WO 9711662 A	03-04-1997
		US 5916661 A	29-06-1999

**THIS PAGE BLANK (USPTO)**